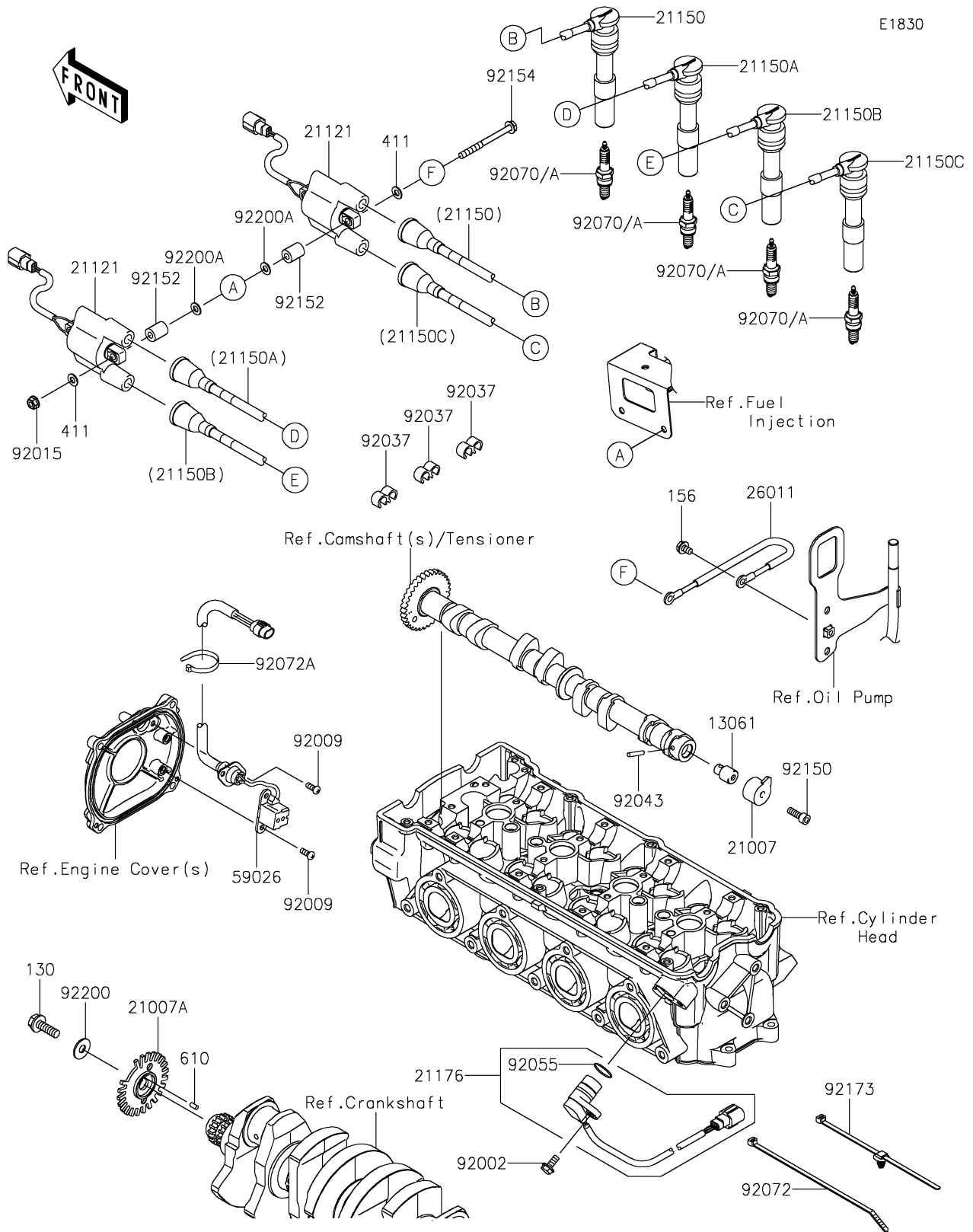


2024 JET SKI® STX® 160LX PARTS DIAGRAM

Ignition System



2024 JET SKI® STX® 160LX PARTS LIST

Ignition System

| ITEM NAME | PART NUMBER | QUANTITY |
|---------------------------------------|-------------|----------|
| BOSS,CAM SENSOR (Ref # 13061) | 13061-1687 | 1 |
| ROTOR,EX CAM (Ref # 21007) | 21007-3742 | 1 |
| ROTOR,PULSING (Ref # 21007A) | 21007-3744 | 1 |
| COIL-IGNITION (Ref # 21121) | 21121-0744 | 2 |
| CORD-ASSY,#1,L=340 (Ref # 21150) | 21150-0006 | 1 |
| CORD-ASSY,#2,L=450 (Ref # 21150A) | 21150-0007 | 1 |
| CORD-ASSY,#3,L=540 (Ref # 21150B) | 21150-0008 | 1 |
| CORD-ASSY,#4,L=600 (Ref # 21150C) | 21150-0009 | 1 |
| SENSOR,CAM ANGLE (Ref # 21176) | 21176-1077 | 1 |
| WIRE-LEAD (Ref # 26011) | 26011-1905 | 1 |
| COIL-PULSING (Ref # 59026) | 59026-3702 | 1 |
| BOLT,6X16 (Ref # 92002) | 92002-3728 | 1 |
| SCREW,5X12 (Ref # 92009) | 92009-1296 | 4 |
| NUT,LOCK,6MM (Ref # 92015) | 92015-3766 | 2 |
| CLAMP,CORD (Ref # 92037) | 92037-1603 | 3 |
| PIN (Ref # 92043) | 92043-1575 | 1 |
| RING-O (Ref # 92055) | 92055-1639 | 1 |
| PLUG-SPARK,CR9EKB(NGK) (Ref # 92070) | 92070-0050 | 4 |
| PLUG-SPARK,CR8EKB(NGK) (Ref # 92070A) | 92070-0708 | 4 |
| BAND,L=188.85 (Ref # 92072) | 92072-0105 | 1 |
| BAND,L=152 (Ref # 92072A) | 92072-3874 | 1 |
| BOLT,6X18 (Ref # 92150) | 92150-1645 | 1 |
| COLLAR (Ref # 92152) | 92152-3738 | 4 |
| BOLT,6X70 (Ref # 92154) | 92154-4158 | 2 |
| CLAMP (Ref # 92173) | 92173-0742 | 1 |
| WASHER,8.0X22.0X1.5 (Ref # 92200) | 92200-0174 | 1 |
| WASHER,6.5X14X1 (Ref # 92200A) | 92200-1388 | 4 |
| BOLT-FLANGED,8X25 (Ref # 130) | 130CD0825 | 1 |
| BOLT-WP,6X10 (Ref # 156) | 156R0610 | 1 |

2024 JET SKI® STX® 160LX PARTS LIST

Ignition System

| ITEM NAME | PART NUMBER | QUANTITY |
|------------------------------|-------------|----------|
| WASHER-PLAIN,6MM (Ref # 411) | 411S0600 | 2 |
| ROLLER,4X8 (Ref # 610) | 610A0408 | 1 |