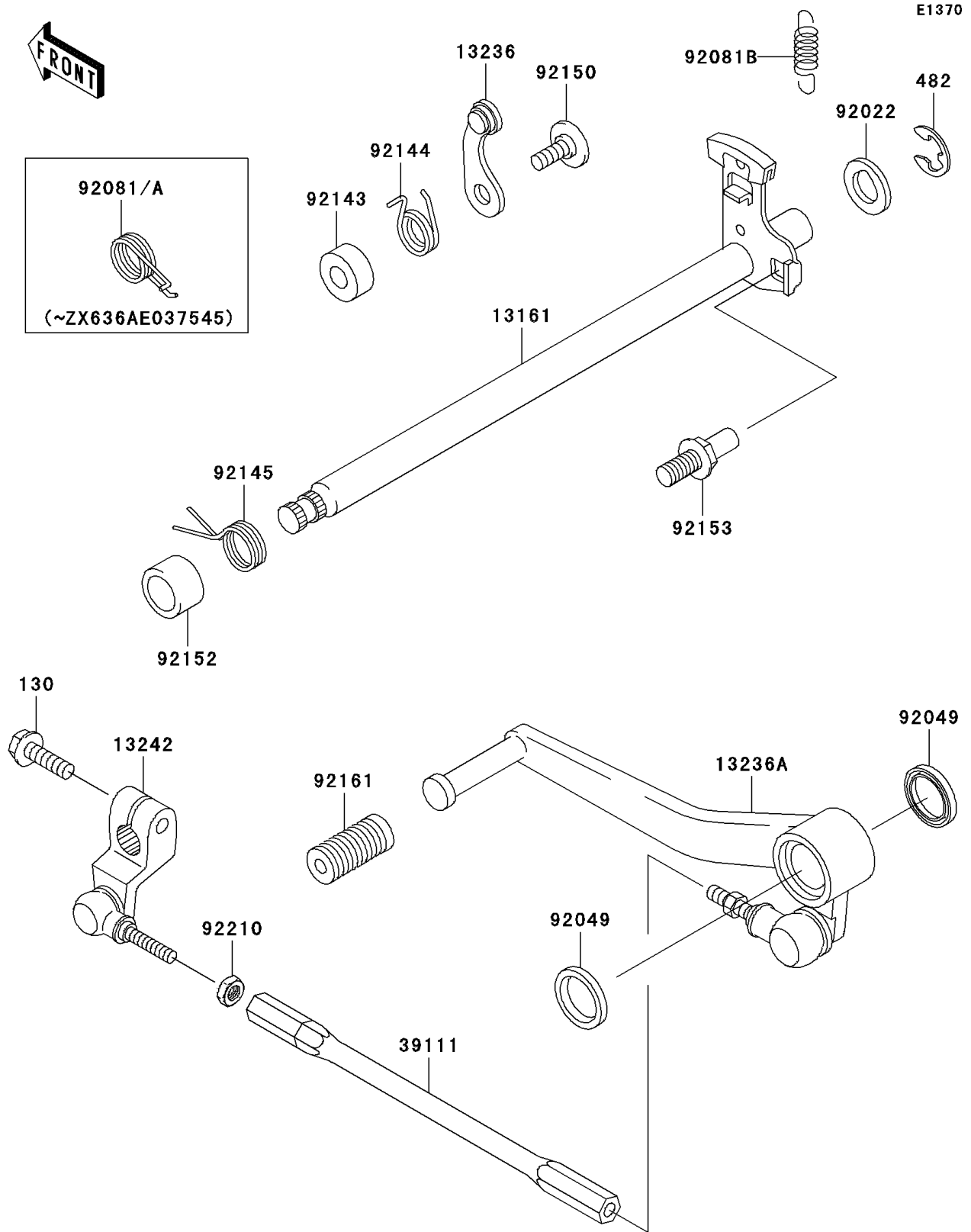


2004 Ninja® ZX™ -6R PARTS DIAGRAM

Gear Change Mechanism



2004 Ninja® ZX™ -6R PARTS LIST

Gear Change Mechanism

ITEM NAME	PART NUMBER	QUANTITY
BOLT-FLANGED,6X20 (Ref # 130)	130Z0620	1
CIRCLIP-TYPE-E,12MM (Ref # 482)	482J0200	1
LEVER-COMP-CHANGE SHAFT (Ref # 13161)	13161-1284	1
LEVER-COMP (Ref # 13236)	13236-1243	1
LEVER-COMP,CHANGE PEDAL (Ref # 13236A)	13236-1317	1
LEVER-ASSY-CHANGE,BOSS (Ref # 13242)	13242-1348	1
ROD-TIE (Ref # 39111)	39111-1181	1
WASHER,CHANGE SHAFT (Ref # 92022)	92022-1628	1
SEAL-OIL (Ref # 92049)	92049-1492	2
SPRING (Ref # 92081A)	92081-1645	1
SPRING,PAWL RETURN (Ref # 92081B)	92081-1708	1
COLLAR (Ref # 92143)	92143-1595	1
SPRING,GEAR POSITION (Ref # 92144)	92144-1857	1
SPRING (Ref # 92145)	92145-1122	1
BOLT,SOCKET,6X16 (Ref # 92150)	92150-1737	1
COLLAR,14.2X19.9X12.0 (Ref # 92152)	92152-1383	1
BOLT,RETURN SPRING (Ref # 92153)	92153-0421	1
DAMPER,CHANGE PEDAL (Ref # 92161)	92161-1300	1
NUT,LEFT HANDED,6MM (Ref # 92210)	92210-1101	1