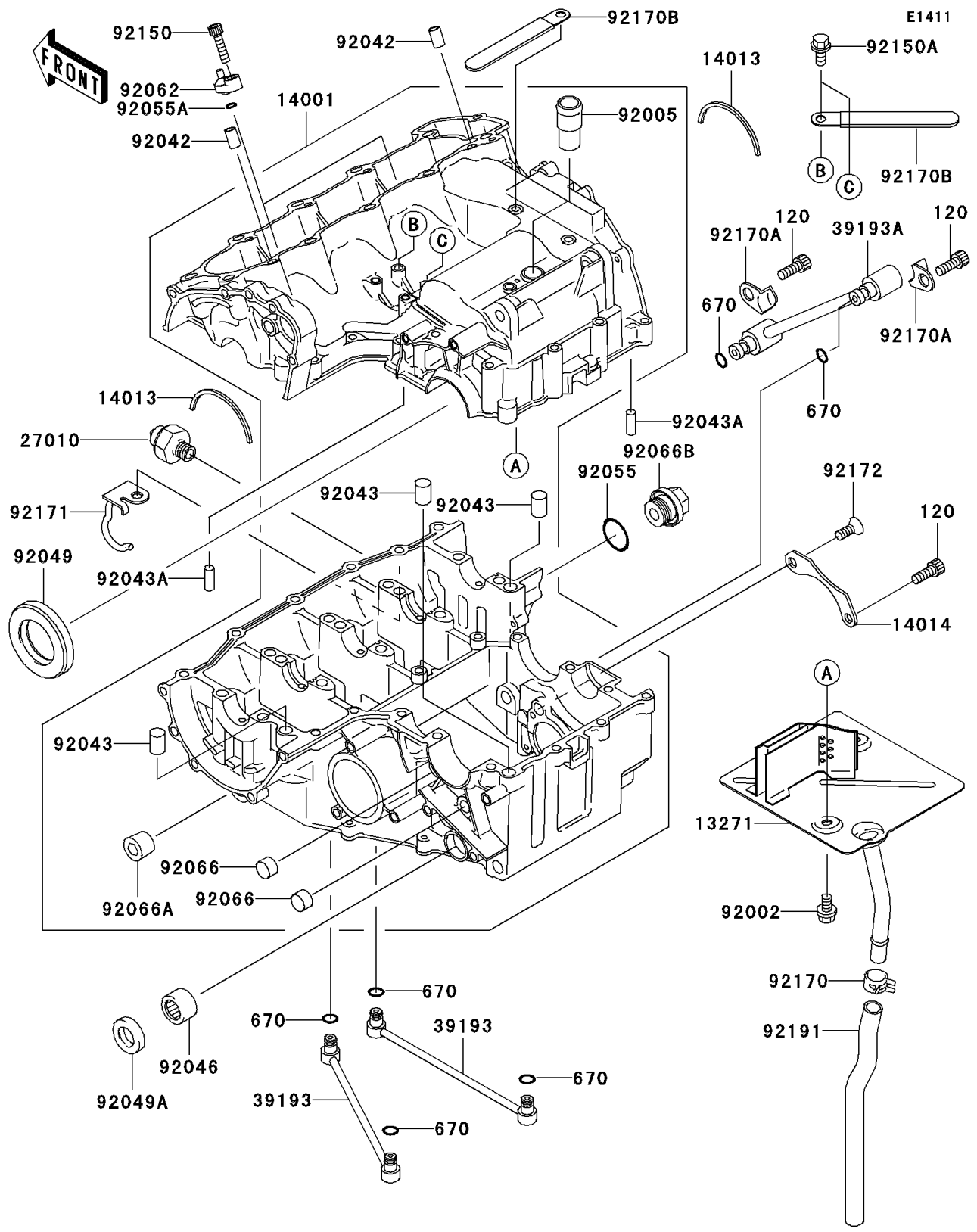


2004 Ninja® ZX™ -6R PARTS DIAGRAM

Crankcase



2004 Ninja® ZX™ -6R PARTS LIST

Crankcase

| ITEM NAME | PART NUMBER | QUANTITY |
|--|-------------|----------|
| BOLT-SOCKET,6X16 (Ref # 120) | 120P0616 | 3 |
| O RING (Ref # 670) | 670D1505 | 6 |
| PLATE,BREATHER (Ref # 13271) | 13271-0115 | 1 |
| SET-CRANKCASE (Ref # 14001) | 14001-0034 | 1 |
| RING-POSITION (Ref # 14013) | 14013-004 | 2 |
| PLATE-POSITION (Ref # 14014) | 14014-1123 | 1 |
| SWITCH,OIL PRESSURE (Ref # 27010) | 27010-1313 | 1 |
| PIPE-OIL,MAIN-INPUT (Ref # 39193) | 39193-1019 | 2 |
| PIPE-OIL (Ref # 39193A) | 39193-1020 | 1 |
| BOLT,6X10 (Ref # 92002) | 92002-1449 | 2 |
| FITTING,BREATHER (Ref # 92005) | 92005-1238 | 1 |
| PIN,DOWEL,6.3X8X14 (Ref # 92042) | 92042-007 | 2 |
| PIN (Ref # 92043) | 92043-1506 | 3 |
| PIN,6X16 (Ref # 92043A) | 92043-1690 | 2 |
| BEARING-NEEDLE,7E-HK1412 (Ref # 92046) | 92046-037 | 1 |
| SEAL-OIL,TC32528 (Ref # 92049) | 92049-1307 | 1 |
| SEAL-OIL,TC14245 (Ref # 92049A) | 92049-1520 | 1 |
| RING-O,20X2 (Ref # 92055) | 92055-1146 | 1 |
| RING-O,5.5X1.5 (Ref # 92055A) | 92055-1343 | 2 |
| NOZZLE,OIL JET (Ref # 92062) | 92062-1092 | 2 |
| PLUG (Ref # 92066) | 92066-1110 | 2 |
| PLUG,PT3/8X12 (Ref # 92066A) | 92066-1252 | 1 |
| PLUG,MAIN GALLERY,18X9 (Ref # 92066B) | 92066-1394 | 1 |
| BOLT,SOCKET,5X20 (Ref # 92150) | 92150-1019 | 2 |
| BOLT,6X12 (Ref # 92150A) | 92150-1841 | 2 |
| CLAMP (Ref # 92170) | 92170-1167 | 1 |
| CLAMP,OIL PIPE (Ref # 92170A) | 92170-1578 | 2 |
| CLAMP (Ref # 92170B) | 92170-1925 | 2 |
| CLAMP (Ref # 92171) | 92171-0041 | 1 |

2004 Ninja® ZX™ -6R PARTS LIST

Crankcase

| ITEM NAME | PART NUMBER | QUANTITY |
|-----------------------------|-------------|----------|
| SCREW,6X16 (Ref # 92172) | 92172-0090 | 1 |
| TUBE,BREATHER (Ref # 92191) | 92191-1790 | 1 |