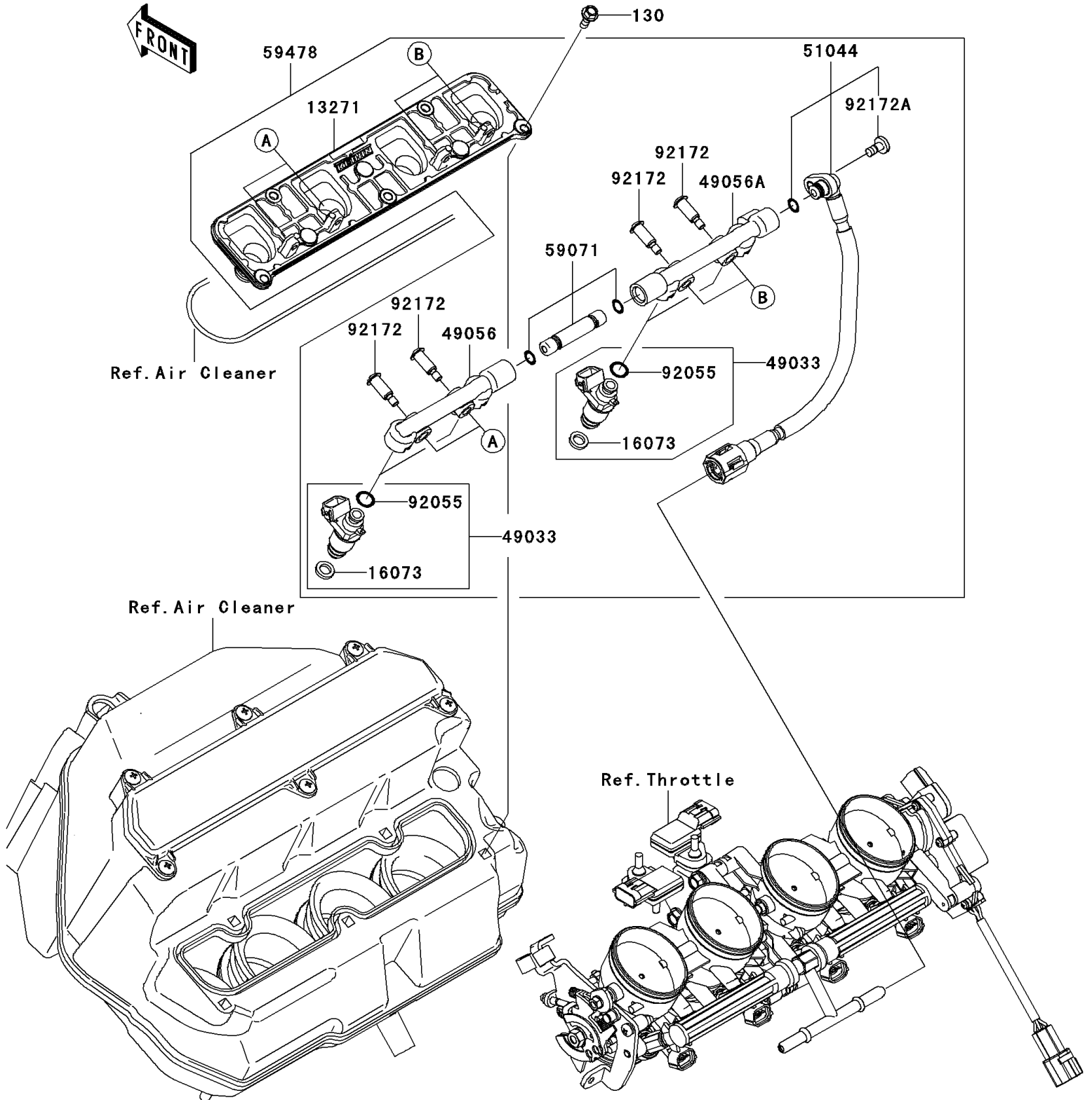


2006 Ninja® ZX™-6R PARTS DIAGRAM

Top Feed Injector

E1515



2006 Ninja® ZX™ -6R PARTS LIST

Top Feed Injector

ITEM NAME	PART NUMBER	QUANTITY
BOLT-FLANGED,5X14 (Ref # 130)	130J0514	5
PLATE (Ref # 13271)	13271-0418	1
INSULATOR (Ref # 16073)	16073-0010	4
NOZZLE-INJECTION,SEAL&RING SET (Ref # 49033)	49033-0009	4
PIPE-INJECTION (Ref # 49056)	49056-0009	1
PIPE-INJECTION (Ref # 49056A)	49056-0010	1
TUBE-ASSY (Ref # 51044)	51044-0020	1
JOINT (Ref # 59071)	59071-0030	1
NOZZLE-ASSY (Ref # 59478)	59478-0003	1
RING-O (Ref # 92055)	92055-0077	4
SCREW,PIPE INJECTION (Ref # 92172)	92172-0064	4
SCREW (Ref # 92172A)	92172-0204	1