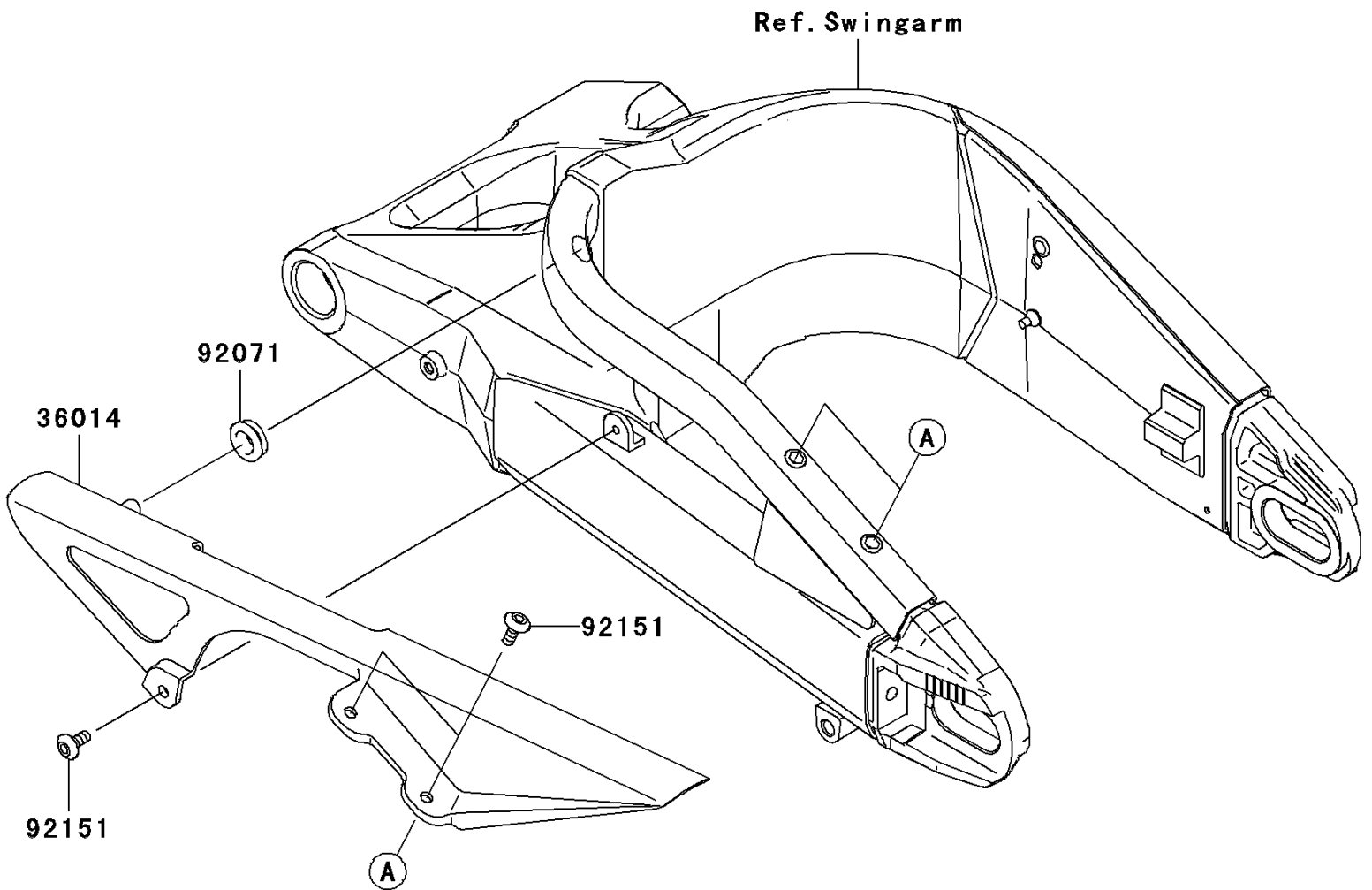


# 2006 Ninja® ZX™-6R PARTS DIAGRAM

Chain Cover

F2650



## 2006 Ninja® ZX™-6R PARTS LIST

### Chain Cover

ITEM NAME	PART NUMBER	QUANTITY
CASE-CHAIN (Ref # 36014)	36014-0020	1
GROMMET (Ref # 92071)	92071-0020	1
BOLT,SOCKET,6X14 (Ref # 92151)	92151-1654	3