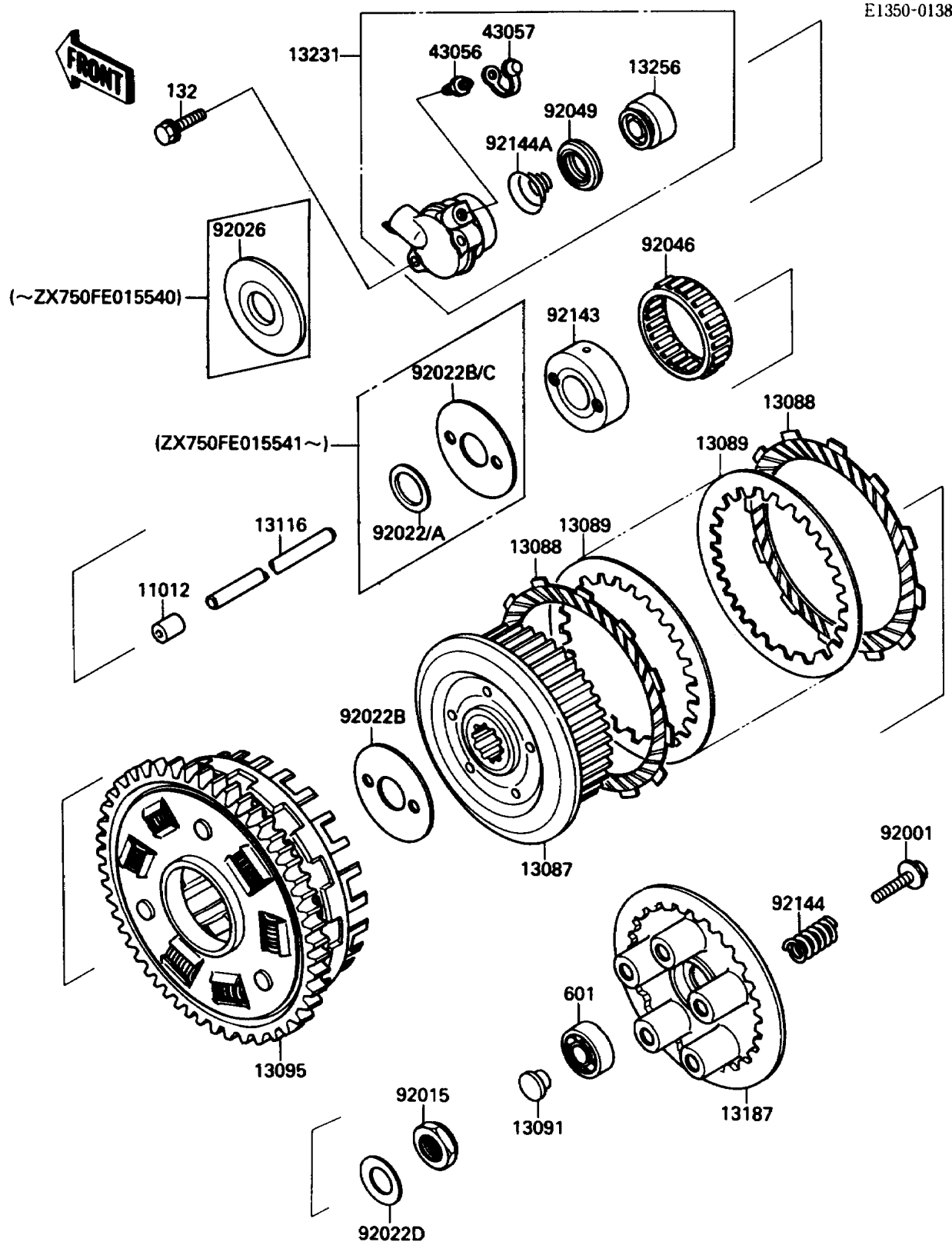


1987 NINJA® 750R PARTS DIAGRAM

Clutch



1987 NINJA® 750R PARTS LIST

Clutch

ITEM NAME	PART NUMBER	QUANTITY
BOLT-FLANGED-SMALL (Ref # 132)	132W0625	2
BEARING-BALL,#6001C3 (Ref # 601)	601B6001	1
CAP,PUSHROD (Ref # 11012)	11012-1569	1
HUB-CLUTCH (Ref # 13087)	13087-042	1
PLATE-FRICTION (Ref # 13088)	13088-1051	8
PLATE-CLUTCH (Ref # 13089)	13089-1066	7
HOLDER,CLUTCH PUSH ROD (Ref # 13091)	13091-1085	1
HOUSING-COMP-CLUTCH (Ref # 13095)	13095-1149	1
ROD-PUSH,CLUTCH (Ref # 13116)	13116-1126	1
PLATE-CLUTCH OPERATING (Ref # 13187)	13187-1006	1
RELEASE-ASSY-CLUTCH (Ref # 13231)	13231-1062	1
PISTON (Ref # 13256)	13256-1052	1
BREATHER-BRAKE (Ref # 43056)	43056-1052	1
CAP-BREATHER (Ref # 43057)	43057-1001	1
BOLT,FLANGED,6X18 (Ref # 92001)	92001-1066	5
NUT,20MM (Ref # 92015)	92015-1555	1
WASHER (Ref # 92022A)	92022-1719	1
WASHER,CLUTCH THRUST (Ref # 92022B)	92022-1846	1
WASHER,CLUTCH THRUST (Ref # 92022C)	92022-1846	1
WASHER (Ref # 92022D)	92022-1868	1
SPACER (Ref # 92026)	92026-1281	1
BEARING-NEEDLE,K55X63X20 (Ref # 92046)	92046-1159	1
SEAL-OIL,PISTON (Ref # 92049)	92049-1165	1
COLLAR,INPUTSHAFT (Ref # 92143)	92143-1017	1
SPRING,CLUTCH (Ref # 92144)	92144-1036	5
SPRING,CLUTCH RELEASE (Ref # 92144A)	92144-1084	1