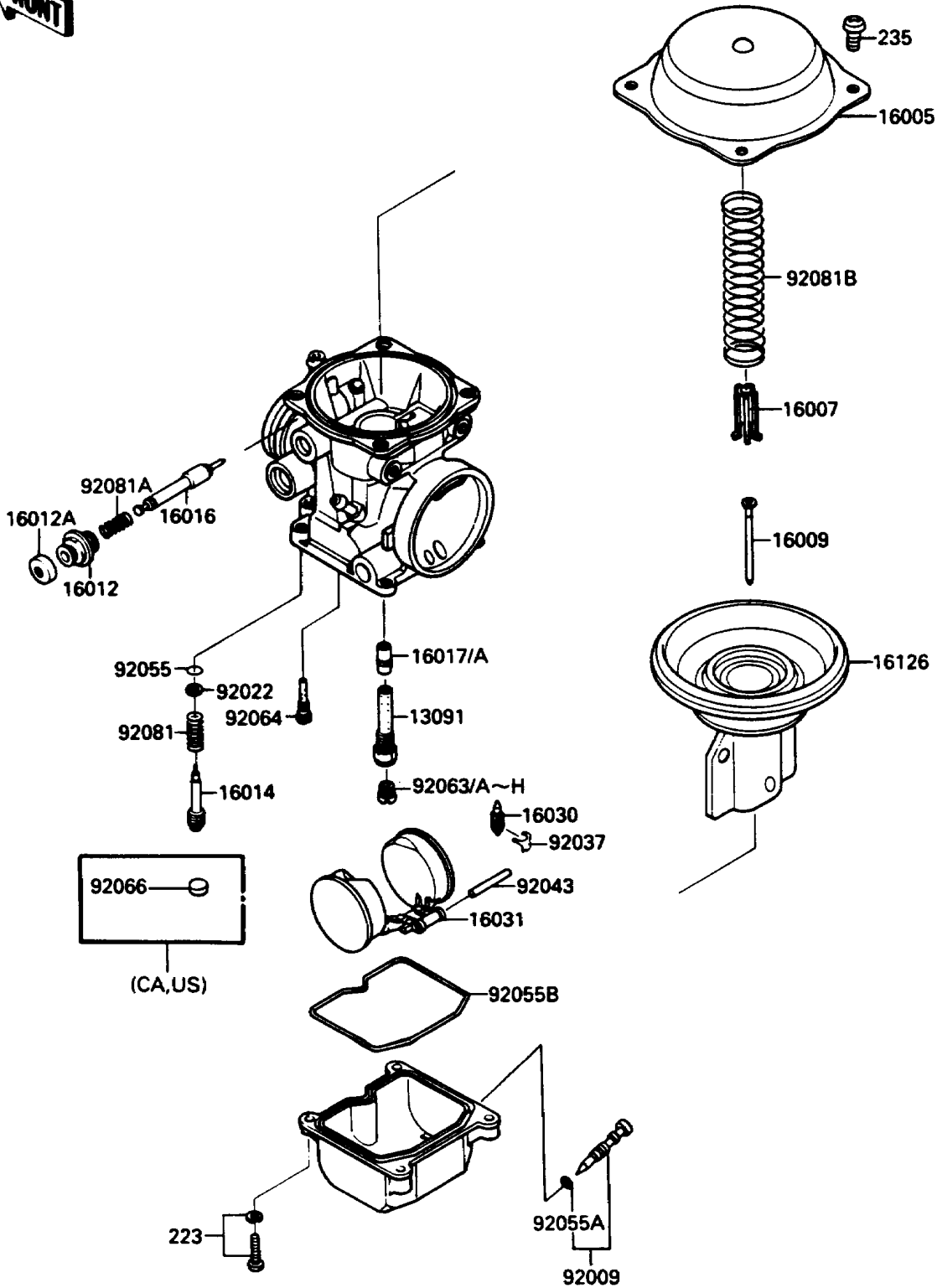


1987 NINJA® 750R PARTS DIAGRAM

Carburetor Parts

E1612-0117



1987 NINJA® 750R PARTS LIST

Carburetor Parts

| ITEM NAME | PART NUMBER | QUANTITY |
|---|-------------|----------|
| HOLDER,NEEDLE JET (Ref # 13091) | 13091-1347 | 4 |
| TOP-CHAMBER,MIXING (Ref # 16005) | 16005-1063 | 4 |
| SEAT-SPRING,VALVE (Ref # 16007) | 16007-1117 | 4 |
| NEEDLE-JET,N53I (Ref # 16009) | 16009-1339 | 4 |
| CAP-STARTER PLUNGER (Ref # 16012) | 16012-1051 | 4 |
| CAP-STARTER PLUNGER (Ref # 16012A) | 16012-1052 | 4 |
| SCREW-PILOT AIR (Ref # 16014) | 16014-1054 | 4 |
| PLUNGER,STARTER (Ref # 16016) | 16016-1061 | 4 |
| VALVE-FLOAT (Ref # 16030) | 16030-1007 | 4 |
| FLOAT (Ref # 16031) | 16031-1056 | 4 |
| VALVE,VACUUM,60PS (Ref # 16126) | 16126-1173 | 4 |
| SCREW,DRAIN,M6X1.0 (Ref # 92009) | 92009-1095 | 4 |
| WASHER,PLAIN (Ref # 92022) | 92022-1003 | 4 |
| CLAMP,FLOAT VALVE (Ref # 92037) | 16044-007 | 4 |
| PIN,FLOAT (Ref # 92043) | 92043-1207 | 4 |
| RING-O,PILOT ADJUST (Ref # 92055) | 92055-1002 | 4 |
| RING-O,DRAIN SCREW (Ref # 92055A) | 92055-1053 | 4 |
| RING-O,FLOAT CHAMBER (Ref # 92055B) | 92055-1222 | 4 |
| JET-MAIN,#118 (Ref # 92063B) | 92063-1071 | 4 |
| SCREW-PAN-WS-CROS (Ref # 223) | 223C0416 | 16 |
| SCREW-PAN-WP-CROS (Ref # 235) | 235B0408 | 15 |
| JET-MAIN,#112 (Ref # 92063G) | 92063-1117 | 4 |
| JET-MAIN,#115 (Ref # 92063H) | 92063-1118 | 4 |
| JET-PILOT,#35 (Ref # 92064) | 92064-1101 | 4 |
| SPRING,PILOT ADJUST SCREW (Ref # 92081) | 92081-1002 | 4 |
| SPRING,STARTER PLUNGER (Ref # 92081A) | 92081-1761 | 4 |
| SPRING,VACUUM VALVE (Ref # 92081B) | 92081-1874 | 4 |
| JET-NEEDLE (Ref # 16017) | 16017-1326 | 4 |
| JET-NEEDLE (Ref # 16017A) | 16017-1327 | 4 |

1987 NINJA® 750R PARTS LIST

Carburetor Parts

| ITEM NAME | PART NUMBER | QUANTITY |
|--|-------------|----------|
| JET-MAIN,#110 (Ref # 92063) | 92063-1007 | 4 |
| JET-MAIN,#118 (Ref # 92063A) | 92063-1071 | 4 |
| JET-MAIN,#120 (Ref # 92063C) | 92063-1072 | 4 |
| JET-MAIN,2ND,#122 (Ref # 92063D) | 92063-1073 | 4 |
| JET-MAIN,#108 (Ref # 92063E) | 92063-1116 | 4 |
| JET-MAIN,#112 (Ref # 92063F) | 92063-1117 | 4 |
| PLUG,PILOT AIR SCREW,6.9X2 (Ref # 92066) | 92066-1051 | 4 |