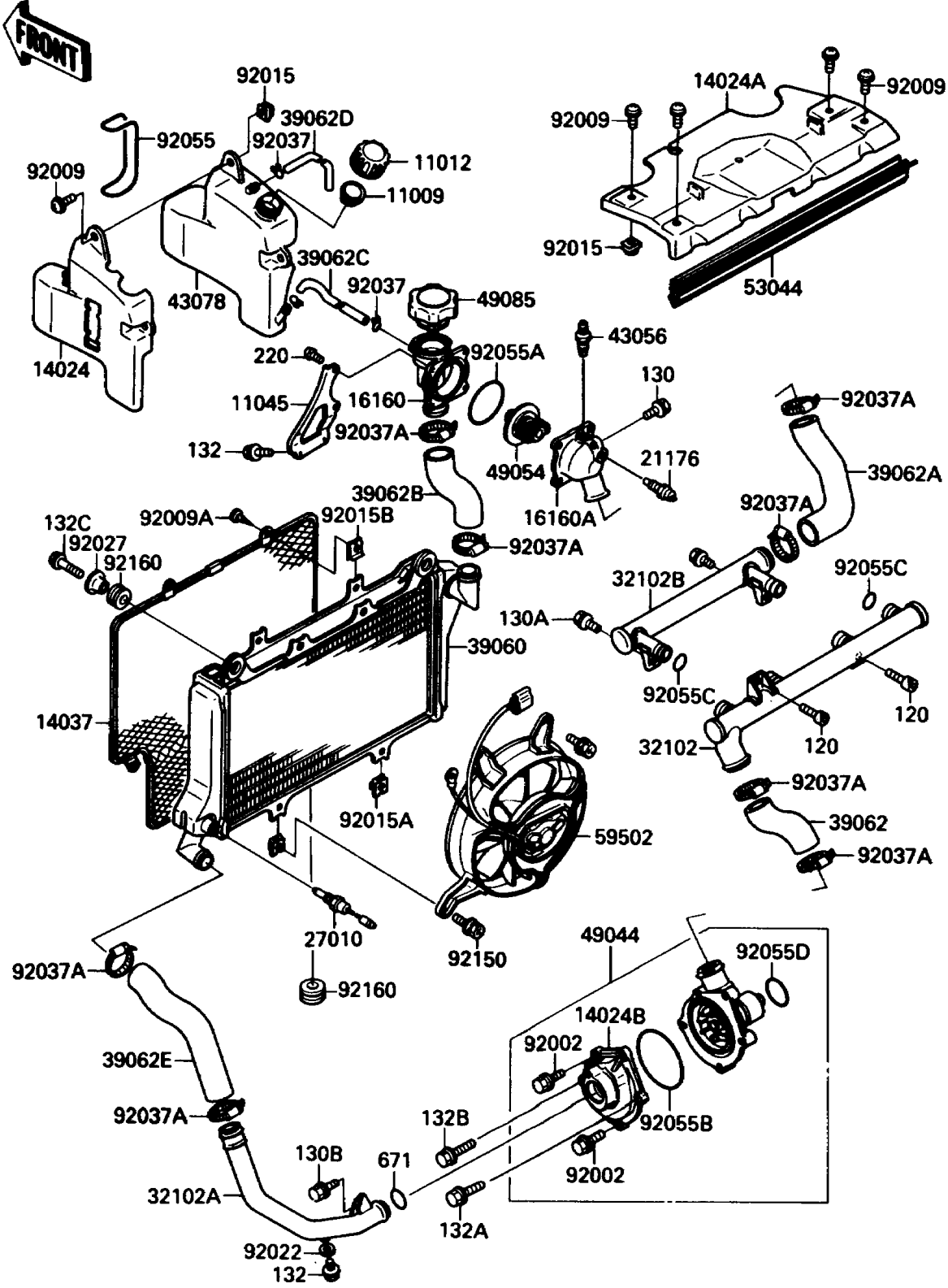


1989 Ninja® 750R PARTS DIAGRAM

Radiator

E3032-0048



1989 Ninja® 750R PARTS LIST

Radiator

ITEM NAME	PART NUMBER	QUANTITY
GASKET,RESERVOIR TANK CAP (Ref # 11009)	11009-1145	1
CAP (Ref # 11012)	11012-1084	1
BRACKET,THERMOSTAT (Ref # 11045)	11045-1249	1
COVER,RESERVOIR (Ref # 14024)	14024-1342	1
COVER (Ref # 14024A)	14024-1343	1
COVER,WATER PUMP (Ref # 14024B)	14024-1428	1
SCREEN (Ref # 14037)	14037-1085	1
BODY,THERMOSTAT,UPP (Ref # 16160)	16160-1116	1
BODY,THERMOSTAT,LWR (Ref # 16160A)	16160-1117	1
SENSOR,WATER (Ref # 21176)	21176-1054	1
SWITCH,FAN (Ref # 27010)	27010-1180	1
PIPE,COOLING (Ref # 32102)	32102-1243	1
PIPE,COOLING (Ref # 32102A)	32102-1259	1
PIPE,COOLING (Ref # 32102B)	32102-1260	1
RADIATOR (Ref # 39060)	39060-1073	1
HOSE-COOLING (Ref # 39062)	39062-1197	1
HOSE-COOLING,HEAD-THERMO (Ref # 39062A)	39062-1198	1
HOSE-COOLING,CAP-RADIATOR (Ref # 39062B)	39062-1201	1
HOSE-COOLING,CAP-RESERVOIR (Ref # 39062C)	39062-1203	1
HOSE-COOLING (Ref # 39062D)	39062-1219	1
HOSE-COOLING,RADIATOR-PUMP (Ref # 39062E)	39062-1270	1
BREATHER (Ref # 43056)	43056-003	1
RESERVOIR (Ref # 43078)	43078-1081	1
PUMP-WATER (Ref # 49044)	49044-1059	1
THERMOSTAT (Ref # 49054)	49054-1051	1
CAP-ASSY-PRESSURE (Ref # 49085)	49085-1054	1
TRIM (Ref # 53044)	53044-1180	1
FAN-ASSY (Ref # 59502)	59502-1068	1
BOLT,6X22 (Ref # 92002)	92002-1392	3

1989 Ninja® 750R PARTS LIST

Radiator

ITEM NAME	PART NUMBER	QUANTITY
SCREW,6X18,BLACK (Ref # 92009)	92009-1181	6
SCREW,TAPPING,6MM (Ref # 92009A)	92009-1261	6
NUT,6MM (Ref # 92015)	92015-1094	6
NUT (Ref # 92015A)	92015-1487	4
NUT,6MM (Ref # 92015B)	92015-1758	4
WASHER,6.2X11X1 (Ref # 92022)	92022-304	1
COLLAR,L=14 (Ref # 92027)	92027-1134	2
CLAMP,TUBE (Ref # 92037)	92037-147	3
CLAMP,COOLING HOSE (Ref # 92037A)	92037-1985	8
RING-O (Ref # 92055)	92055-1001	1
RING-O,53.5X2.6 (Ref # 92055A)	92055-112	1
BOLT-SOCKET (Ref # 120)	120S0610	2
BOLT-FLANGED,6X12 (Ref # 130)	130G0612	1
BOLT-FLANGED (Ref # 130A)	130J0612	2
BOLT-FLANGED,6X16,BLACK (Ref # 130B)	130J0616	1
BOLT-FLANGED-SMALL (Ref # 132)	132W0610	3
BOLT-FLANGED-SMALL (Ref # 132A)	132W0630	1
BOLT-FLANGED-SMALL (Ref # 132B)	132W0650	1
BOLT-FLANGED-SMALL (Ref # 132C)	132W0825	2
SCREW-PAN-CROS,5X14 (Ref # 220)	220D0514	4
O RING,25MM (Ref # 671)	671B2525	1
RING-O,WATER PUMP (Ref # 92055B)	92055-1271	1
RING-O (Ref # 92055C)	92055-1282	6
RING-O,WATER PUMP (Ref # 92055D)	92055-1378	1
BOLT,6X16 (Ref # 92150)	92150-1187	4
DAMPER (Ref # 92160)	92160-1007	3