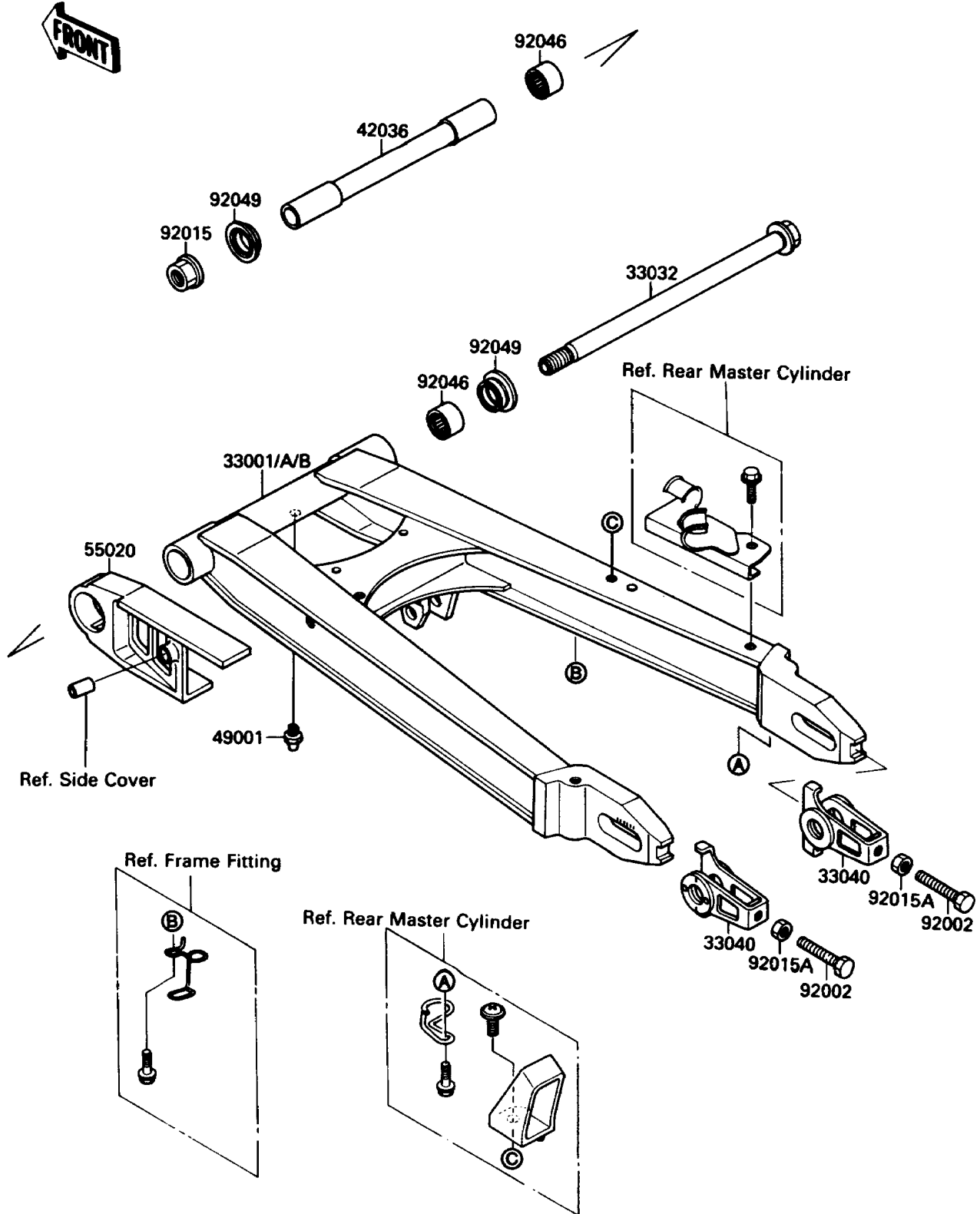


1988 NINJA® 750R PARTS DIAGRAM

Swingarm

F2141-0048



1988 NINJA® 750R PARTS LIST

Swingarm

ITEM NAME	PART NUMBER	QUANTITY
ARM-COMP-SWING,SILVER NO.15 (Ref # 33001B)	33001-1294-X3	1
SHAFT-SWING ARM (Ref # 33032)	33032-1126	1
ADJUSTER-CHAIN (Ref # 33040)	33040-1074	2
SLEEVE,L=244 (Ref # 42036)	42036-1214	1
NIPPLE-GREASE (Ref # 49001)	49001-1051	1
GUARD,CHAIN (Ref # 55020)	55020-1246	1
BOLT,8X50 (Ref # 92002)	92002-1958	2
NUT,16MM (Ref # 92015)	92015-1041	1
NUT,8MM (Ref # 92015A)	92015-1364	2
BEARING-NEEDLE,BHTM2530-1 (Ref # 92046)	92046-1035	2
SEAL-OIL (Ref # 92049)	92049-1166	2