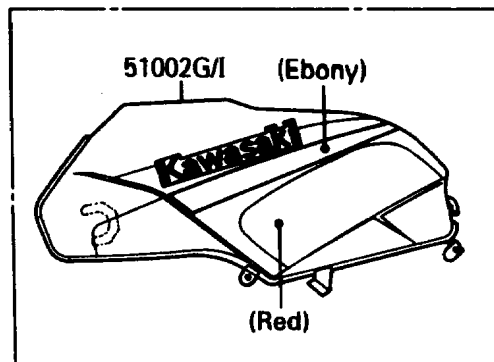
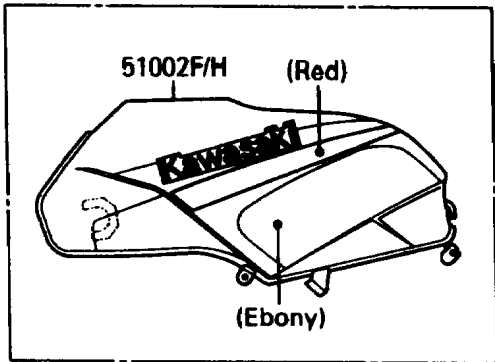
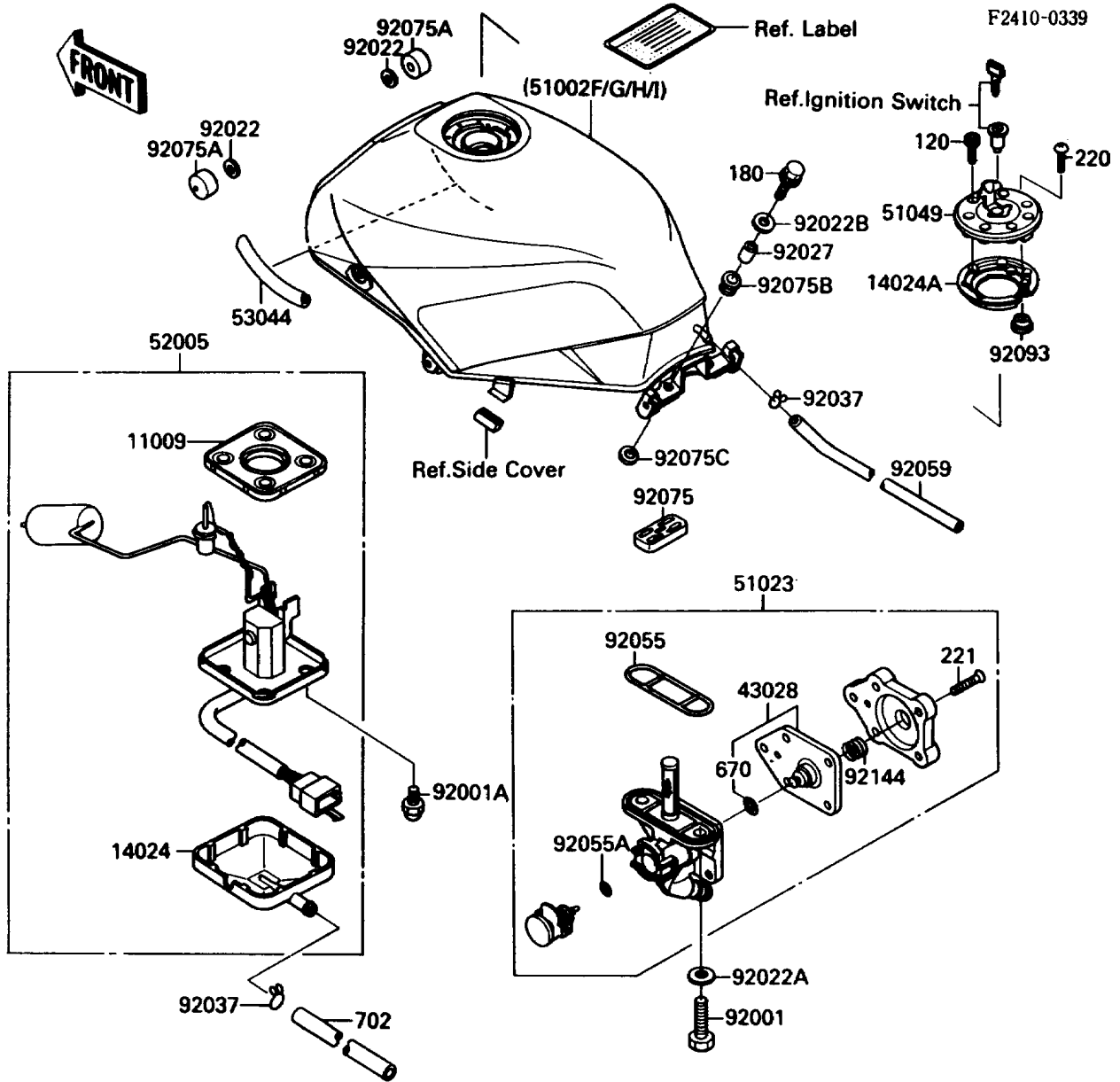


1989 Ninja® 750R PARTS DIAGRAM

Fuel Tank



1989 Ninja® 750R PARTS LIST

Fuel Tank

| ITEM NAME | PART NUMBER | QUANTITY |
|---------------------------------------|-------------|----------|
| GASKET,FUEL GAUGE (Ref # 11009) | 11009-1656 | 1 |
| COVER,FUEL GAUGE (Ref # 14024) | 14025-1536 | 1 |
| COVER,TANK CAP (Ref # 14024A) | 14025-1913 | 1 |
| DIAPHRAGM,TAP (Ref # 43028) | 43028-1068 | 1 |
| TAP-ASSY,FUEL (Ref # 51023) | 51023-1133 | 1 |
| CAP-TANK,FUEL (Ref # 51049) | 51049-1079 | 1 |
| GAUGE,FUEL (Ref # 52005) | 52005-1088 | 1 |
| TRIM,FUEL TANK (Ref # 53044) | 53044-1171 | 1 |
| BOLT,6X20 (Ref # 92001) | 92001-1091 | 2 |
| BOLT,FUEL GAUGE (Ref # 92001A) | 92001-1705 | 4 |
| WASHER,10.5X26X2.3 (Ref # 92022) | 92022-044 | 2 |
| WASHER,6.2X11X1.5 (Ref # 92022A) | 92022-183 | 2 |
| WASHER,6.5X22X1.6 (Ref # 92022B) | 92022-237 | 2 |
| COLLAR,6.8X10X14.5 (Ref # 92027) | 92027-156 | 2 |
| CLAMP,TUBE (Ref # 92037) | 92037-147 | 2 |
| RING-O,FUEL TAP PACKING (Ref # 92055) | 92055-1112 | 1 |
| RING-O,TAP BOTTOM (Ref # 92055A) | 92055-1377 | 1 |
| TUBE,6X10X335 (Ref # 92059) | 92059-1830 | 1 |
| DAMPER,FUEL TANK,RR (Ref # 92075) | 92075-1114 | 1 |
| DAMPER,FUEL TANK (Ref # 92075A) | 92075-125 | 2 |
| DAMPER,MALE (Ref # 92075B) | 92075-174 | 2 |
| BOLT-SOCKET (Ref # 120) | 120S0512 | 7 |
| BOLT-UPSET-WS (Ref # 180) | 180G0625 | 2 |
| SCREW-PAN-CROS (Ref # 220) | 220C0508 | 1 |
| SCREW-CSK-CROS,4X14 (Ref # 221) | 221B0414 | 5 |
| O RING,4MM (Ref # 670) | 670B1504 | 1 |
| TUBE-RUBBER (Ref # 702) | 702A07480 | 1 |
| DAMPER,FEMALE (Ref # 92075C) | 92075-175 | 2 |
| SPRING,TAP DIAPHRAGM (Ref # 92144) | 92144-1119 | 1 |

1989 Ninja® 750R PARTS LIST

Fuel Tank

| ITEM NAME | PART NUMBER | QUANTITY |
|-------------------------------------|---------------|----------|
| TANK-COMP-FUEL,EBONY (Ref # 51002F) | 51002-5481-H8 | 1 |
| TANK-COMP-FUEL,RED (Ref # 51002G) | 51002-5482-B1 | 1 |
| TANK-COMP-FUEL,EBONY (Ref # 51002H) | 51002-5483-H8 | 1 |
| TANK-COMP-FUEL,RED (Ref # 51002I) | 51002-5484-B1 | 1 |
| SEAL,FUEL TANK CAP (Ref # 92093) | 92093-1030 | 1 |