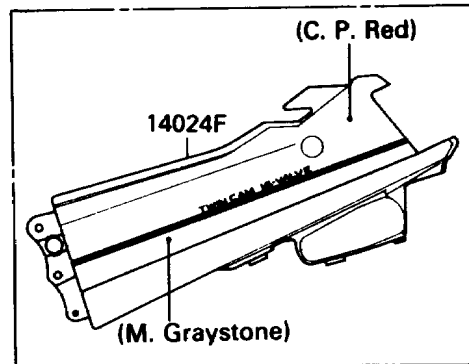
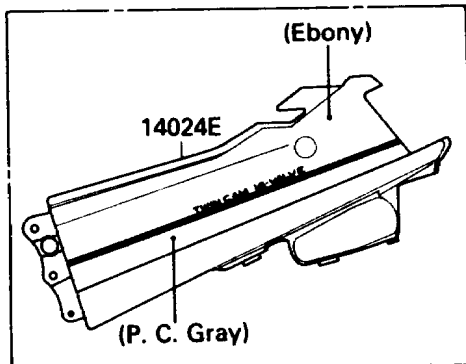
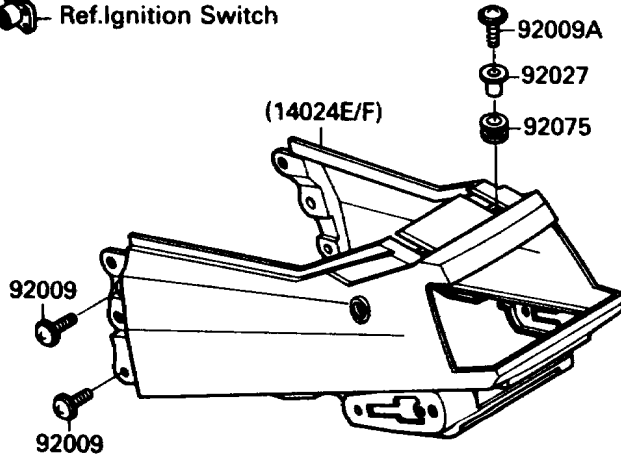
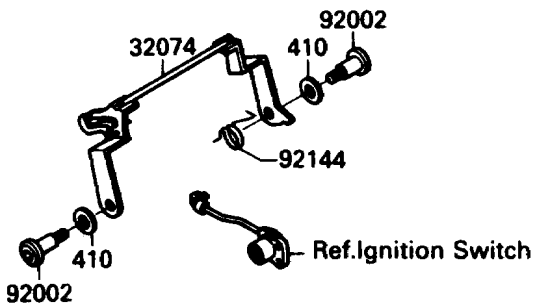
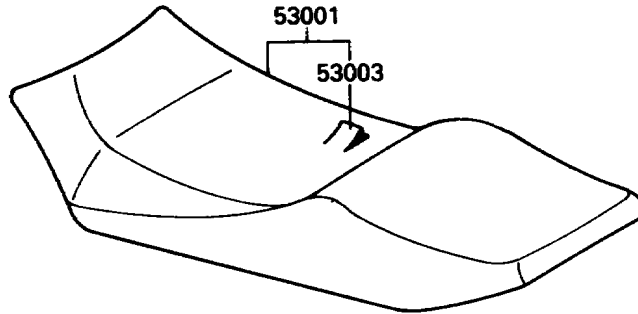


1988 NINJA® 750R PARTS DIAGRAM

Seat

F2510-0332



1988 NINJA® 750R PARTS LIST

Seat

ITEM NAME	PART NUMBER	QUANTITY
WASHER-PLAIN-SMALL,10MM,BLACK (Ref # 410)	410F1000	2
COVER,SEAT,EBONY (Ref # 14024E)	14024-5051-H8	1
COVER,SEAT,C.P.RED (Ref # 14024F)	14024-5052-A5	1
BRACKET-LOCK,SEAT (Ref # 32074)	32074-1130	1
SEAT-ASSY,DUAL (Ref # 53001)	53001-1494	1
LEATHER,SEAT (Ref # 53003)	53003-1178	1
BOLT,SOCKET,6MM (Ref # 92002)	92002-1616	2
SCREW,6X18,BLACK (Ref # 92009)	92009-1181	4
SCREW,6X20,BLACK (Ref # 92009A)	92009-1251	2
COLLAR,L=14.1 (Ref # 92027)	92027-1920	2
DAMPER (Ref # 92075)	92075-1913	2
SPRING,SEAT LOCK (Ref # 92144)	92144-1086	1