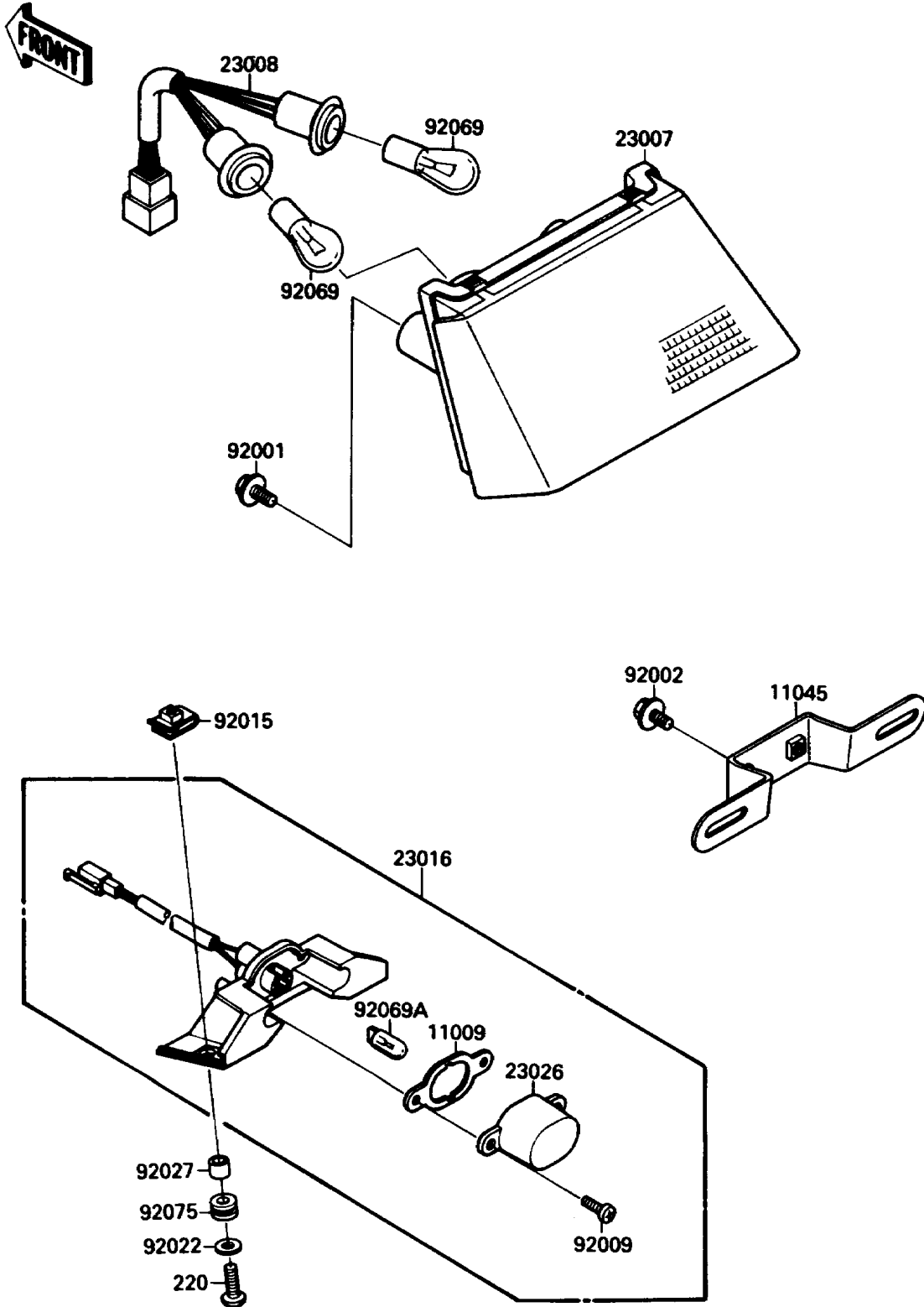


1989 Ninja® 750R PARTS DIAGRAM

Taillight(s)

F2720-0247



1989 Ninja® 750R PARTS LIST

Taillight(s)

ITEM NAME	PART NUMBER	QUANTITY
SCREW-PAN-CROS (Ref # 220)	220C0520	2
GASKET,LICENSE PLATE LAMP (Ref # 11009)	11009-1619	1
BRACKET,LICENSE LAMP (Ref # 11045)	11045-1356	1
LENS-COMP,TAIL LAMP (Ref # 23007)	23007-1157	1
SOCKET-ASSY,TAIL LAMP (Ref # 23008)	23008-1319	1
LAMP-ASSY,LICENSE PLATE (Ref # 23016)	23016-1077	1
LENS,LICENSE PLATE LAMP (Ref # 23026)	23026-1084	1
BOLT,6X12 (Ref # 92001)	92001-1771	2
BOLT,6X14 (Ref # 92002)	92002-1351	2
SCREW,TAPPING,4X12 (Ref # 92009)	92009-1395	2
NUT,5MM (Ref # 92015)	92015-1621	2
WASHER,5.2X16X1.2 (Ref # 92022)	25009-004	2
COLLAR,5.6X8X8.8 (Ref # 92027)	92027-1923	2
BULB,12V 27/8W (Ref # 92069)	92069-059	2
BULB,12V 3CP (Ref # 92069A)	92069-1066	1
DAMPER (Ref # 92075)	92075-1912	2