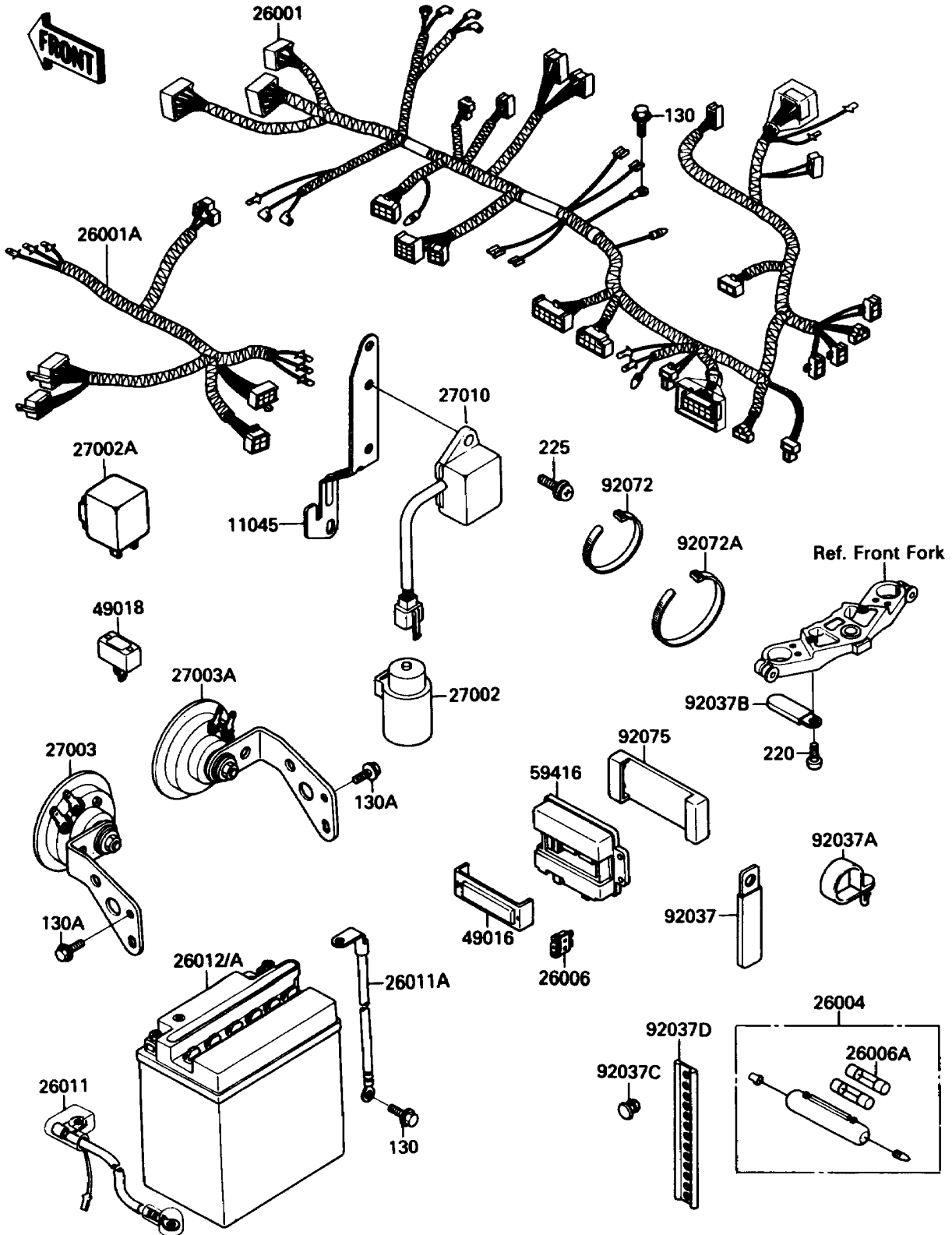


1989 Ninja® 750R PARTS DIAGRAM

Chassis Electrical Equipment

F2760-0381



1989 Ninja® 750R PARTS LIST

Chassis Electrical Equipment

ITEM NAME	PART NUMBER	QUANTITY
BOLT-FLANGED,6X10 (Ref # 130)	130B0610	2
BOLT-FLANGED (Ref # 130A)	130J0610	2
SCREW-PAN-CROS (Ref # 220)	220C0510	1
SCREW-PAN-WSP-CROS (Ref # 225)	225B0620	2
BRACKET,RELAY (Ref # 11045)	11045-1369	1
HARNESS,MAIN (Ref # 26001)	26001-1819	1
HARNESS,FR (Ref # 26001A)	26001-1841	1
FUSE-ASSY (Ref # 26004)	26004-1075	1
FUSE,10A-R (Ref # 26006)	26006-1007	6
FUSE,30A,L=30 (Ref # 26006A)	26006-1059	2
WIRE-LEAD,BATTERY(+) (Ref # 26011)	26011-1377	1
WIRE-LEAD,BATTERY(-) (Ref # 26011A)	26011-1395	1
BATTERY,12V 14AH,YB14L-A2 (Ref # 26012A)	26012-1233	1
RELAY-ASSY (Ref # 27002)	27002-1051	1
RELAY-ASSY,TURN SIGNAL (Ref # 27002A)	27002-1061	1
HORN,LH,LOW TONE (Ref # 27003)	27003-1271	1
HORN,RH,HIGH TONE (Ref # 27003A)	27003-1272	1
SWITCH,RESERV LIGHTING (Ref # 27010)	27010-1066	1
COVER-SEAL,JUNCTION BOX (Ref # 49016)	49016-1128	1
DIODE (Ref # 49018)	49018-1055	1
CASE-ELECTRIC,JUNCTION BOX (Ref # 59416)	59416-1064	1
CLAMP,WIRING HARNESS (Ref # 92037)	92037-1069	4
CLAMP,HOSE (Ref # 92037A)	92037-1163	5
CLAMP,WIRING HARNESS (Ref # 92037B)	92037-1539	5
CLAMP (Ref # 92037C)	92037-1579	2
CLAMP,BAND,L=72 (Ref # 92037D)	92037-1883	1
BAND,L=149 (Ref # 92072)	92072-031	1
BAND,L=185 (Ref # 92072A)	92072-1195	5
DAMPER,JUNCTION BOX (Ref # 92075)	92075-1688	1