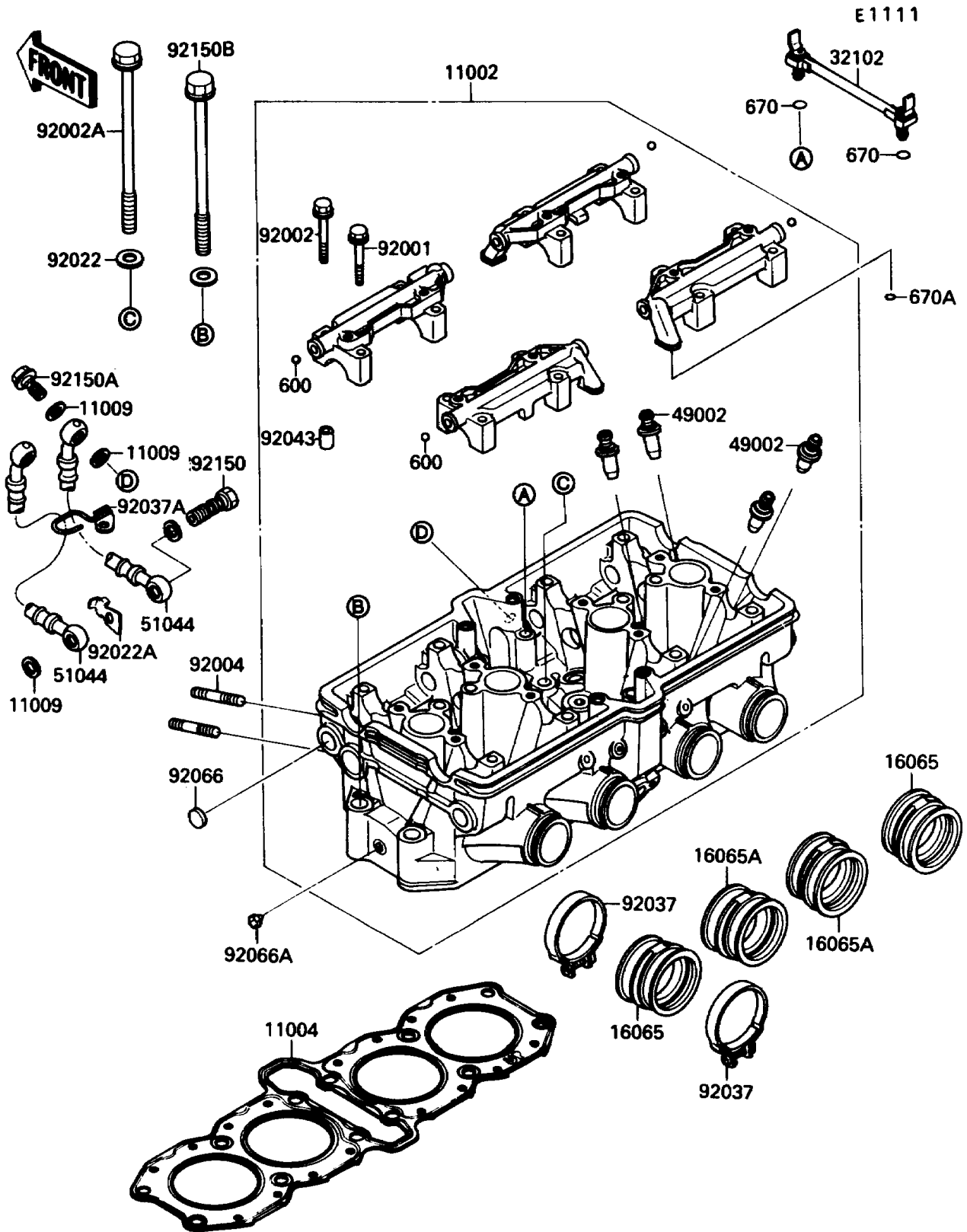


1990 Ninja® 750R PARTS DIAGRAM

Cylinder Head



1990 Ninja® 750R PARTS LIST

Cylinder Head

ITEM NAME	PART NUMBER	QUANTITY
HEAD-ASSY-CYLINDER (Ref # 11002)	11002-1225	1
GASKET-HEAD (Ref # 11004)	11004-1154	1
GASKET,10X14.5X1.5 (Ref # 11009)	11009-1105	6
HOLDER-CARBURETOR,#1 (Ref # 16065)	16065-1147	2
HOLDER-CARBURETOR,#2 (Ref # 16065A)	16065-1148	2
PIPE,CYLINDER HEAD (Ref # 32102)	32102-1242	2
GUIDE-VALVE (Ref # 49002)	49002-1060	16
TUBE-ASSY,OIL PAN-HEAD (Ref # 51044)	51044-1078	2
BOLT,FLANGED,6X38 (Ref # 92001)	92001-1105	8
BOLT,6X46 (Ref # 92002)	92001-1872	8
BOLT,10X158 (Ref # 92002A)	92002-1799	4
STUD,8X30,BLACK (Ref # 92004)	92004-1101	8
WASHER,10.5X20X1.6 (Ref # 92022)	92022-1591	12
WASHER,OIL PUMP (Ref # 92022A)	92022-1875	1
CLAMP (Ref # 92037)	92037-1523	8
CLAMP (Ref # 92037A)	92037-1802	1
PIN,6.2X8X14 (Ref # 92043)	92043-1263	8
PLUG,ROCKER SHAFT (Ref # 92066)	92066-1265	4
PLUG (Ref # 92066A)	92066-1266	2
BOLT,BANJO,10X37 (Ref # 92150)	92150-1122	1
BOLT,BANJO,10X23 (Ref # 92150A)	92150-1123	2
BOLT,10X148 (Ref # 92150B)	92150-1239	8
BALL-STEEL,1/4" (Ref # 600)	600A0800	8
O RING (Ref # 670)	670D1505	4
O RING,8MM (Ref # 670A)	670D1508	4