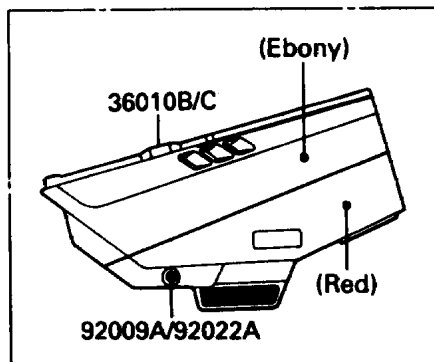
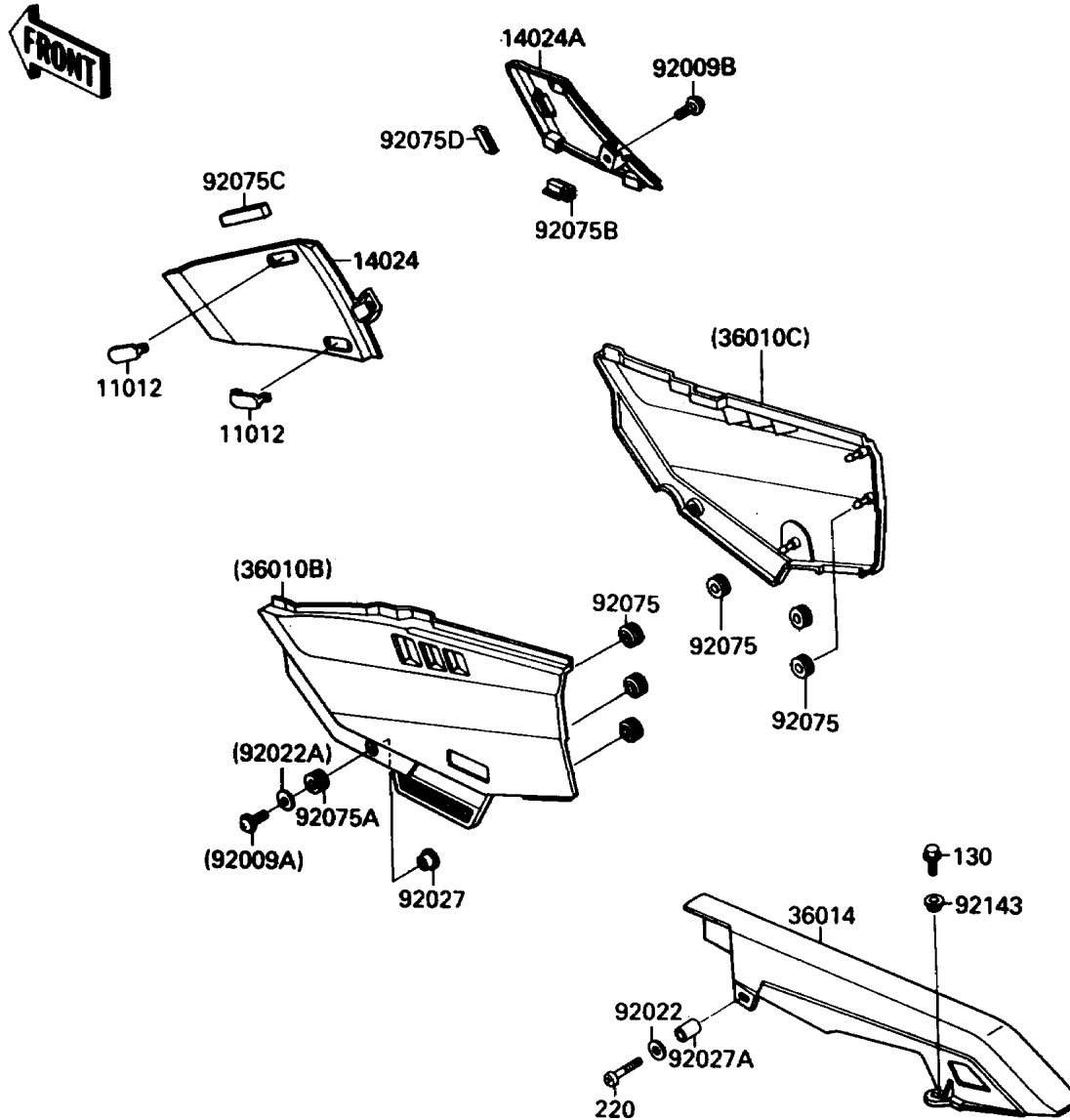


# 1990 Ninja® 750R PARTS DIAGRAM

Side Covers/Chain Cover

F2610



# 1990 Ninja® 750R PARTS LIST

## Side Covers/Chain Cover

ITEM NAME	PART NUMBER	QUANTITY
CAP,KNEEGRIP COVER,EBONY (Ref # 11012)	11012-1551-6C	4
COVER,KNEEGRIP,LH,EBONY (Ref # 14024)	14024-1344-H8	1
COVER,KNEEGRIP,RH,EBONY (Ref # 14024A)	14024-1345-H8	1
COVER-SIDE,LH,EBONY/RED(BLACK) (Ref # 36010B)	36010-5128-J3	1
COVER-SIDE,RH,EBONY/RED(BLACK) (Ref # 36010C)	36010-5129-J3	1
CASE-CHAIN (Ref # 36014)	36014-1142	1
SCREW,6X18,BLACK (Ref # 92009A)	92009-1181	2
SCREW,6X14 (Ref # 92009B)	92009-1288	2
WASHER,6.5X20X1.6,BLACK (Ref # 92022)	92022-1346	1
WASHER,6.5X20X1.6,BLACK (Ref # 92022A)	92022-1619	2
COLLAR,L=9.1,WHITE (Ref # 92027)	92027-1795	2
COLLAR,6.8X10X20 (Ref # 92027A)	92027-1856	1
DAMPER (Ref # 92075)	92075-1067	6
DAMPER (Ref # 92075A)	92075-1634	2
DAMPER,KNEEGRIP COVER,LWR (Ref # 92075B)	92075-1874	2
DAMPER (Ref # 92075C)	92075-1914	2
DAMPER,KNEEGRIP COVER,FR (Ref # 92075D)	92075-1923	2
COLLAR,L=6.6 (Ref # 92143)	92143-1088	1
BOLT-FLANGED,6X14,BLACK (Ref # 130)	130J0614	1
SCREW-PAN-CROS,6X35,BLACK (Ref # 220)	220C0635	1