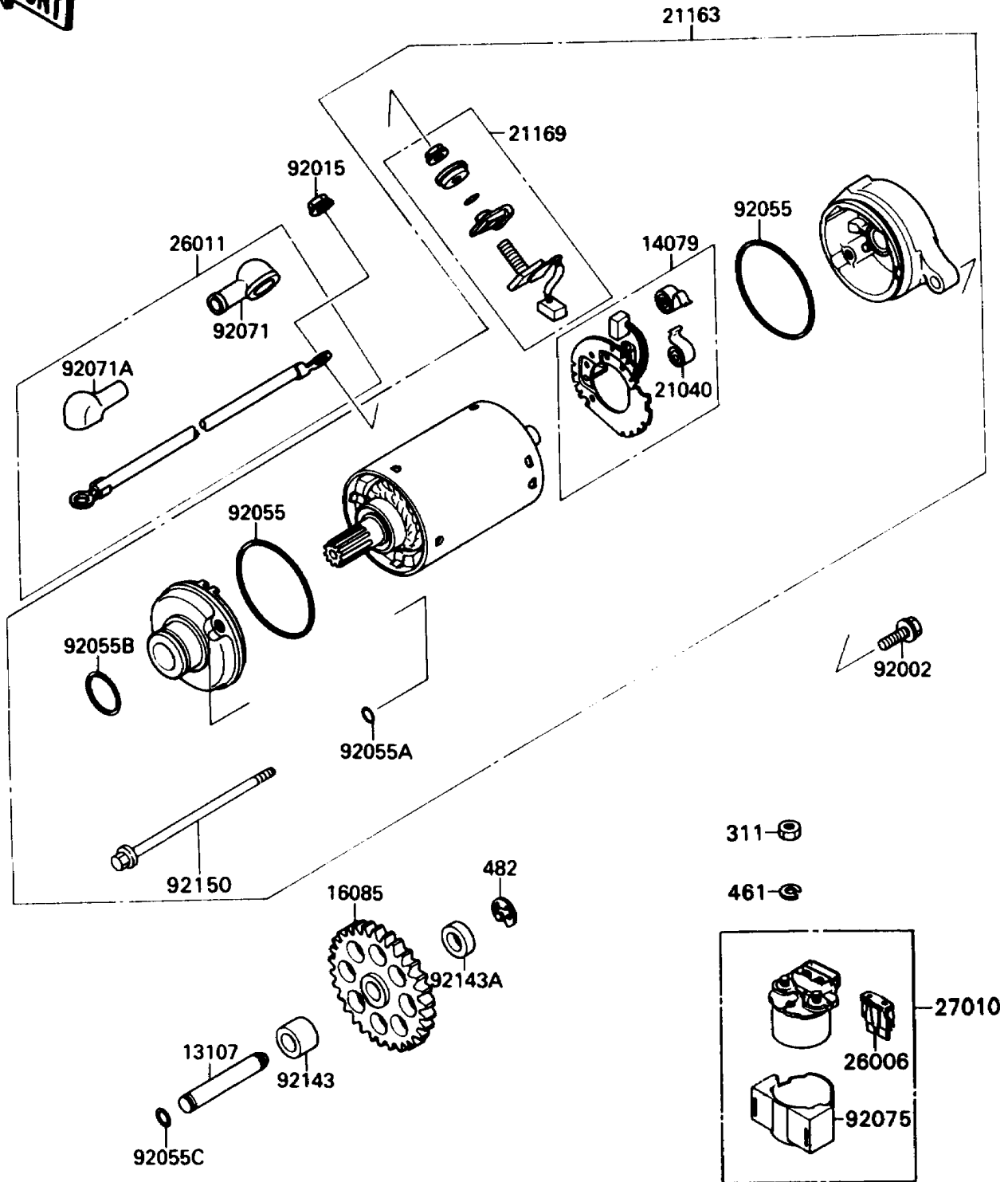


# 1989 Ninja® ZX™-7 PARTS DIAGRAM

Starter Motor

E1840



# 1989 Ninja® ZX™-7 PARTS LIST

## Starter Motor

ITEM NAME	PART NUMBER	QUANTITY
SHAFT,IDLE GEAR (Ref # 13107)	13107-1187	1
HOLDER-ASSY,CARBON BRUSH (Ref # 14079)	14079-1056	1
GEAR,IDLE (Ref # 16085)	16085-1104	1
SPRING-BRUSH (Ref # 21040)	21040-1051	2
STARTER-ELECTRIC (Ref # 21163)	21163-1151	1
TERMINAL,STARTER (Ref # 21169)	21169-1058	1
FUSE,30A-G (Ref # 26006)	26006-1006	1
WIRE-LEAD,STARTER MOTOR (Ref # 26011)	26011-1452	1
SWITCH,MAGNETIC (Ref # 27010)	27010-1213	1
BOLT,6X20 (Ref # 92002)	92001-1947	2
NUT (Ref # 92015)	92015-1623	1
RING-O,62MM (Ref # 92055)	92055-1260	2
RING-O,4.5MM (Ref # 92055A)	92055-1261	2
RING-O,24.4MM (Ref # 92055B)	92055-1262	1
RING-O,ID=9.5 (Ref # 92055C)	92055-1386	1
GROMMET,STARTER TERMINAL (Ref # 92071)	92071-1120	1
GROMMET,TERMINAL (Ref # 92071A)	92071-1121	1
DAMPER,MAGNETIC SWITCH (Ref # 92075)	92075-1863	1
COLLAR,12.1X20X14.5 (Ref # 92143)	92143-1030	1
COLLAR,12.1X20X6.5 (Ref # 92143A)	92143-1031	1
BOLT (Ref # 92150)	92150-1237	1
NUT-HEX,6MM (Ref # 311)	311B0600	2
WASHER-SPRING,6MM (Ref # 461)	461F0600	2
CIRCLIP-TYPE-E,9MM (Ref # 482)	482K9000	1