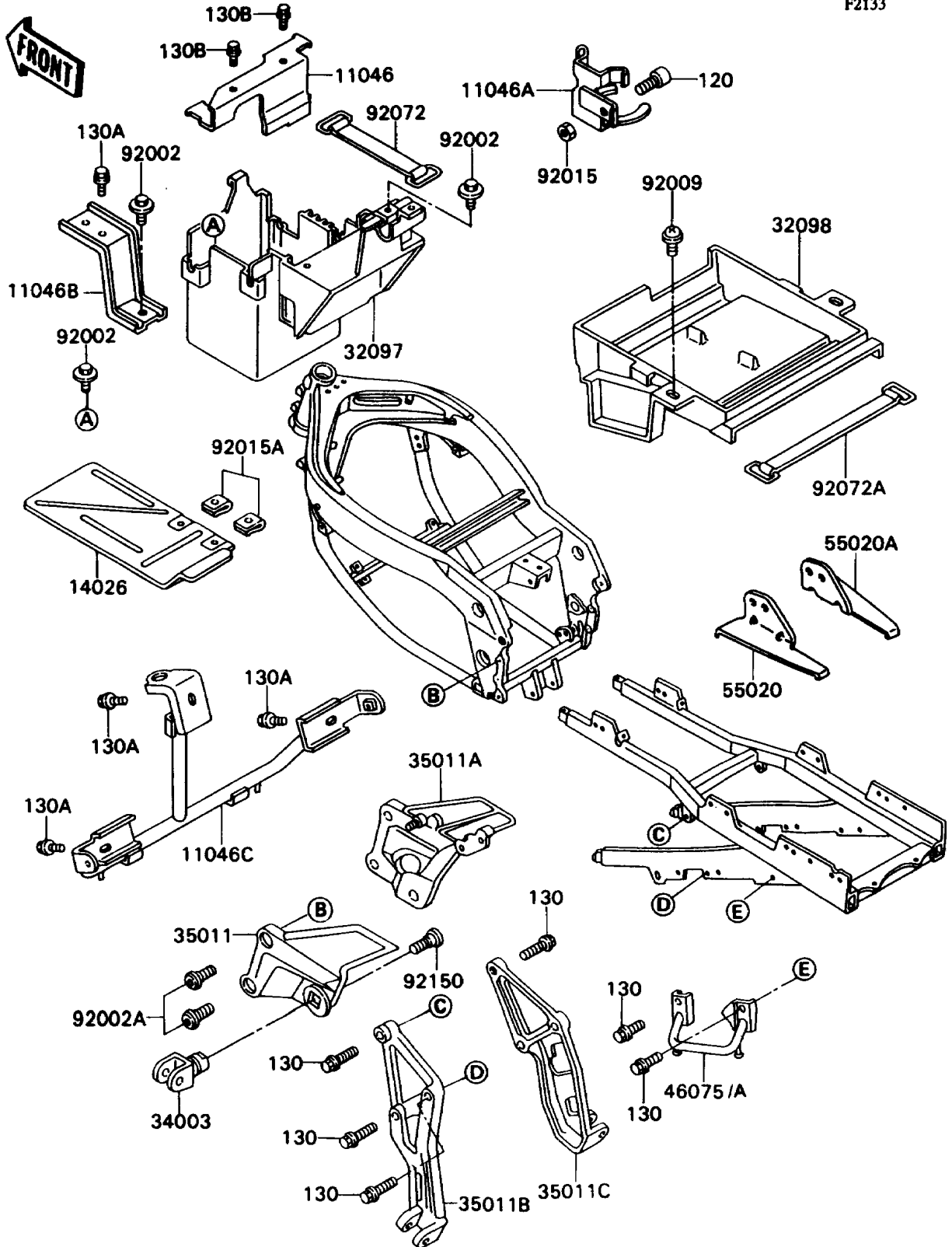


1989 Ninja® ZX™ -7 PARTS DIAGRAM

Electro Bracket

F2133



1989 Ninja® ZX™-7 PARTS LIST

Electro Bracket

ITEM NAME	PART NUMBER	QUANTITY
BRACKET,FUEL PUMP (Ref # 11046)	11046-1513	1
BRACKET,FUEL PUMP (Ref # 11046)	11046-1513	1
BRACKET,BATTERY CASE (Ref # 11046B)	11046-1537	1
BRACKET,OIL COOLER (Ref # 11046C)	11046-1538	1
COVER-CHAIN (Ref # 14026)	14026-1152	1
CASE-BATTERY (Ref # 32097)	32097-1135	1
CASE-TOOL (Ref # 32098)	32098-1084	1
HOLDER-STEP (Ref # 34003)	34003-1327	2
STAY,FR,LH (Ref # 35011)	35011-1477	1
STAY,FR,RH (Ref # 35011A)	35011-1478	1
STAY,RR,LH (Ref # 35011B)	35011-1479	1
STAY,RR,RH (Ref # 35011C)	35011-1480	1
GRIP,LH (Ref # 46075)	46075-1081	1
GRIP,RH (Ref # 46075A)	46075-1082	1
GUARD,SEAT LOCK,LH (Ref # 55020)	55020-1359	1
GUARD,SEAT LOCK,RH (Ref # 55020A)	55020-1360	1
BOLT,6X16 (Ref # 92002)	92001-1950	5
BOLT,SOCKET,8X20 (Ref # 92002A)	92002-1493	4
SCREW,6X14,BLACK (Ref # 92009)	92009-1308	4
NUT,FLANGED,6MM (Ref # 92015)	92015-1367	1
NUT,6MM (Ref # 92015A)	92015-1602	2
BAND,BATTERY,L=105 (Ref # 92072)	92072-1173	1
BAND,TOOL CASE (Ref # 92072A)	92072-1242	1
BOLT,SOCKET,10X25 (Ref # 92150)	92150-1268	2
BOLT-SOCKET,6X14,BLACK (Ref # 120)	120S0614	1
BOLT-FLANGED,8X20 (Ref # 130)	130H0820	10
BOLT-FLANGED (Ref # 130A)	130J0610	5
BOLT-FLANGED,6X16,BLACK (Ref # 130B)	130J0616	2