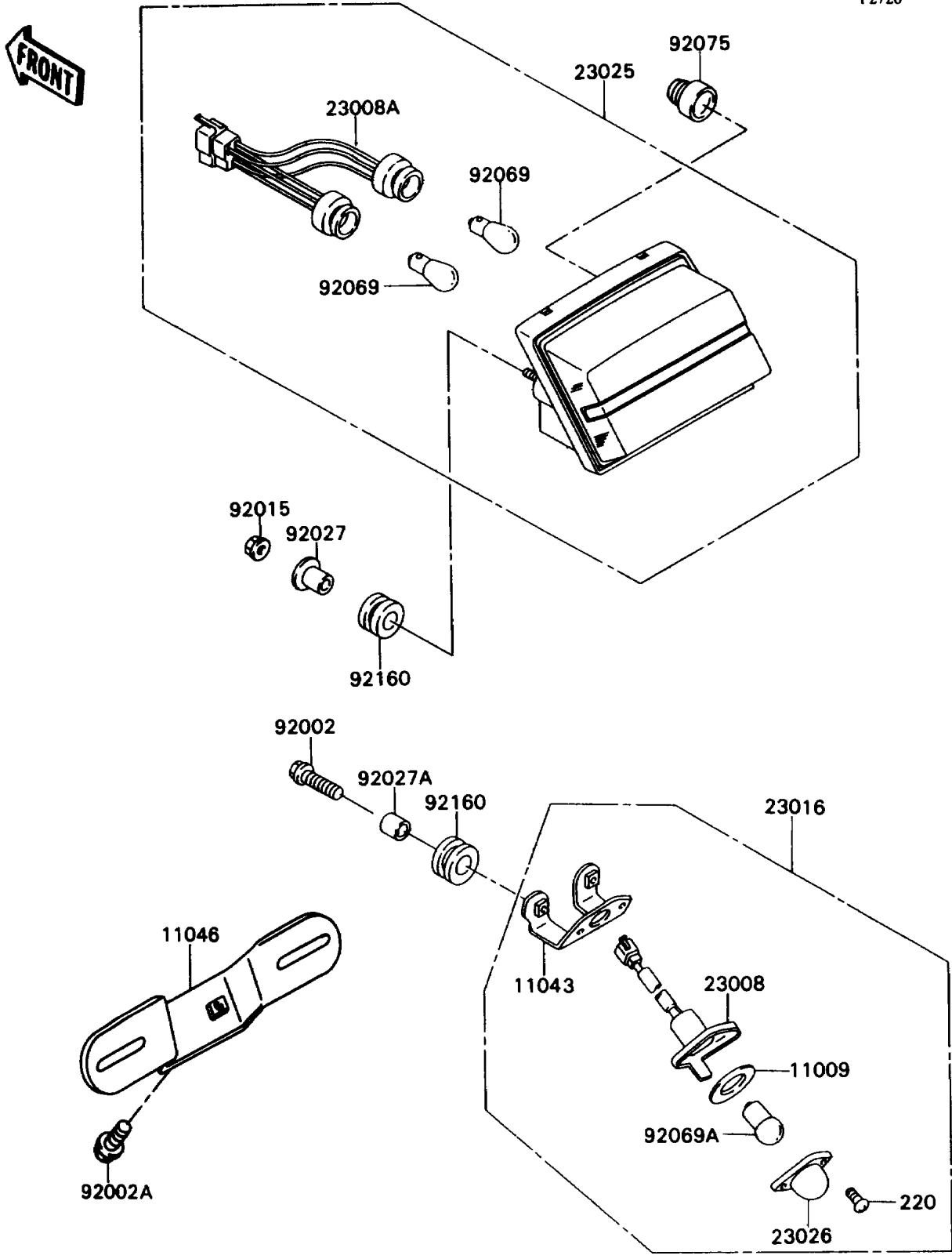


1989 Ninja® ZX™-7 PARTS DIAGRAM

Taillight(s)

F2720



1989 Ninja® ZX™-7 PARTS LIST

Taillight(s)

| ITEM NAME | PART NUMBER | QUANTITY |
|--|-------------|----------|
| GASKET,LICENSE PLATE LAMP (Ref # 11009) | 11009-1372 | 1 |
| BRACKET,LICENSE PLATE LAMP (Ref # 11043) | 11043-1497 | 1 |
| BRACKET,LICENSE (Ref # 11046) | 11046-1504 | 1 |
| SOCKET-ASSY,LICENSE PLATE LAMP (Ref # 23008) | 23008-1221 | 1 |
| SOCKET-ASSY,TAIL LAMP (Ref # 23008A) | 23008-1413 | 1 |
| LAMP-ASSY,LICENSE PLATE (Ref # 23016) | 23016-1053 | 1 |
| LAMP-TAIL (Ref # 23025) | 23025-1187 | 1 |
| LENS,LAMP (Ref # 23026) | 23026-1054 | 1 |
| BOLT,6X25 (Ref # 92002) | 92002-1135 | 2 |
| BOLT,6X14 (Ref # 92002A) | 92002-1351 | 2 |
| NUT,FLANGED,6MM (Ref # 92015) | 92015-1193 | 2 |
| COLLAR (Ref # 92027) | 92027-1183 | 2 |
| COLLAR,6.8X10X12 (Ref # 92027A) | 92027-162 | 2 |
| BULB,12V 27/8W (Ref # 92069) | 92069-059 | 2 |
| BULB,12V 8W (Ref # 92069A) | 92069-1012 | 1 |
| DAMPER (Ref # 92075) | 92075-035 | 1 |
| DAMPER (Ref # 92160) | 92160-1162 | 4 |
| SCREW-PAN-CROS (Ref # 220) | 220B0410 | 2 |