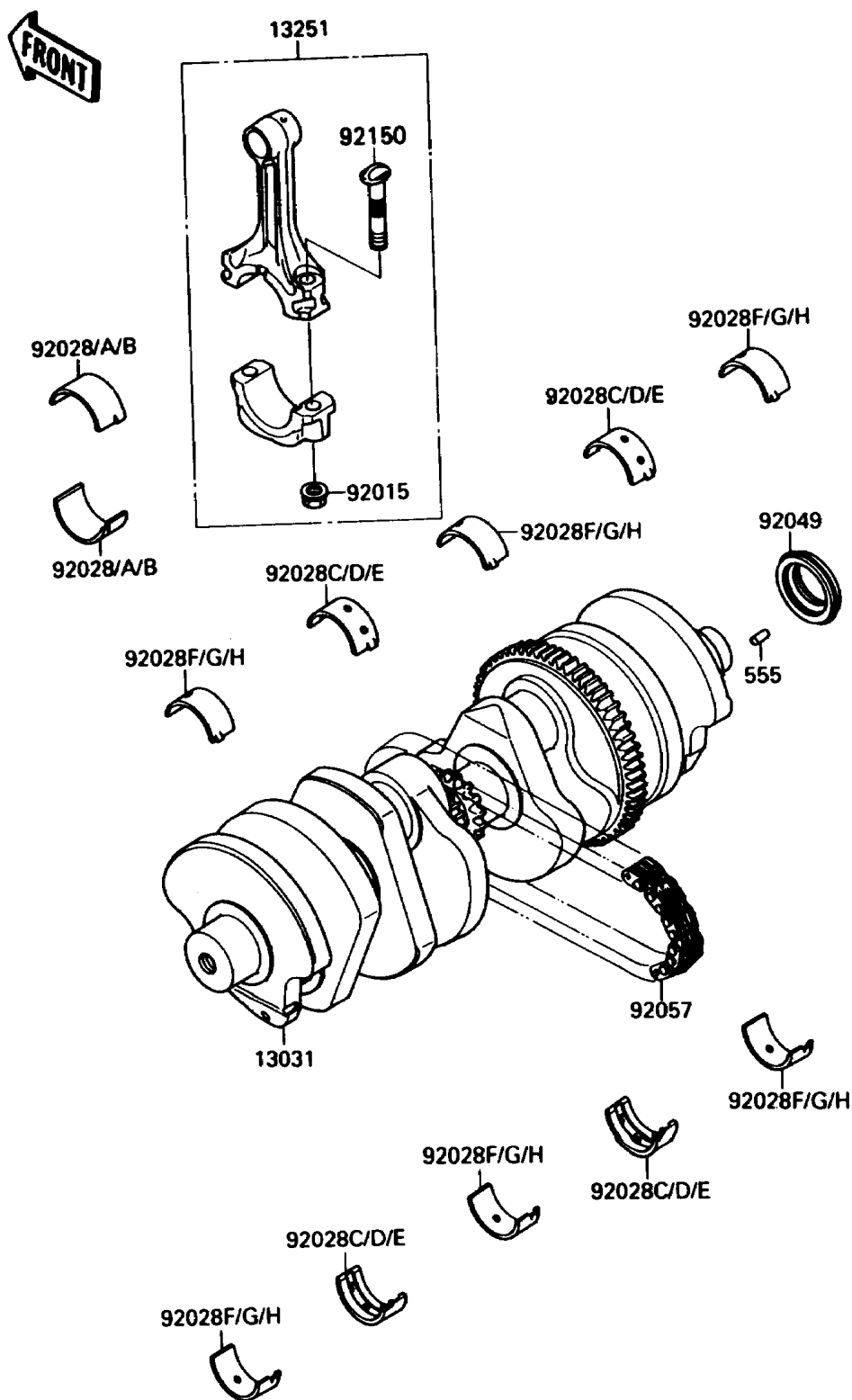


# 1990 Ninja® ZX™ -7 PARTS DIAGRAM

Crankshaft

E1321



## 1990 Ninja® ZX™-7 PARTS LIST

### Crankshaft

ITEM NAME	PART NUMBER	QUANTITY
CRANKSHAFT-COMP (Ref # 13031)	13031-1290	1
ROD-ASSY-CONNECTING,F (Ref # 13251)	13251-1093-FF	4
NUT,FLANGED,8MM (Ref # 92015)	92015-1311	8
BUSHING,CONNECTING ROD BLUE (Ref # 92028)	92028-1407	AR
BUSHING,CONNECTING ROD BLACK (Ref # 92028A)	92028-1408	AR
BUSHING,CONNECTING ROD BROWN (Ref # 92028B)	92028-1409	AR
BUSHING,CRANKSHAFT,#2&#4,BLUE (Ref # 92028C)	92028-1442	AR
BUSHING,CRANKSHAFT,#2&#4,BLACK (Ref # 92028D)	92028-1443	AR
BUSHING,CRANKSHAFT,#2&#4,BROWN (Ref # 92028E)	92028-1444	AR
BUSHING,CRANKSHAFT,1&3&5,BLUE (Ref # 92028F)	92028-1445	AR
BUSHING,CRANKSHAFT,1&3&5,BLACK (Ref # 92028G)	92028-1446	AR
BUSHING,CRANKSHAFT,1&3&5,BROWN (Ref # 92028H)	92028-1447	AR
SEAL-OIL,HSCY25397 (Ref # 92049)	92050-081	1
CHAIN,GENERATOR (Ref # 92057)	92057-1292	1
BOLT,CONNECTING ROD,8MM (Ref # 92150)	92150-1216	8
PIN-SPRING,4X8 (Ref # 555)	555A0408	1