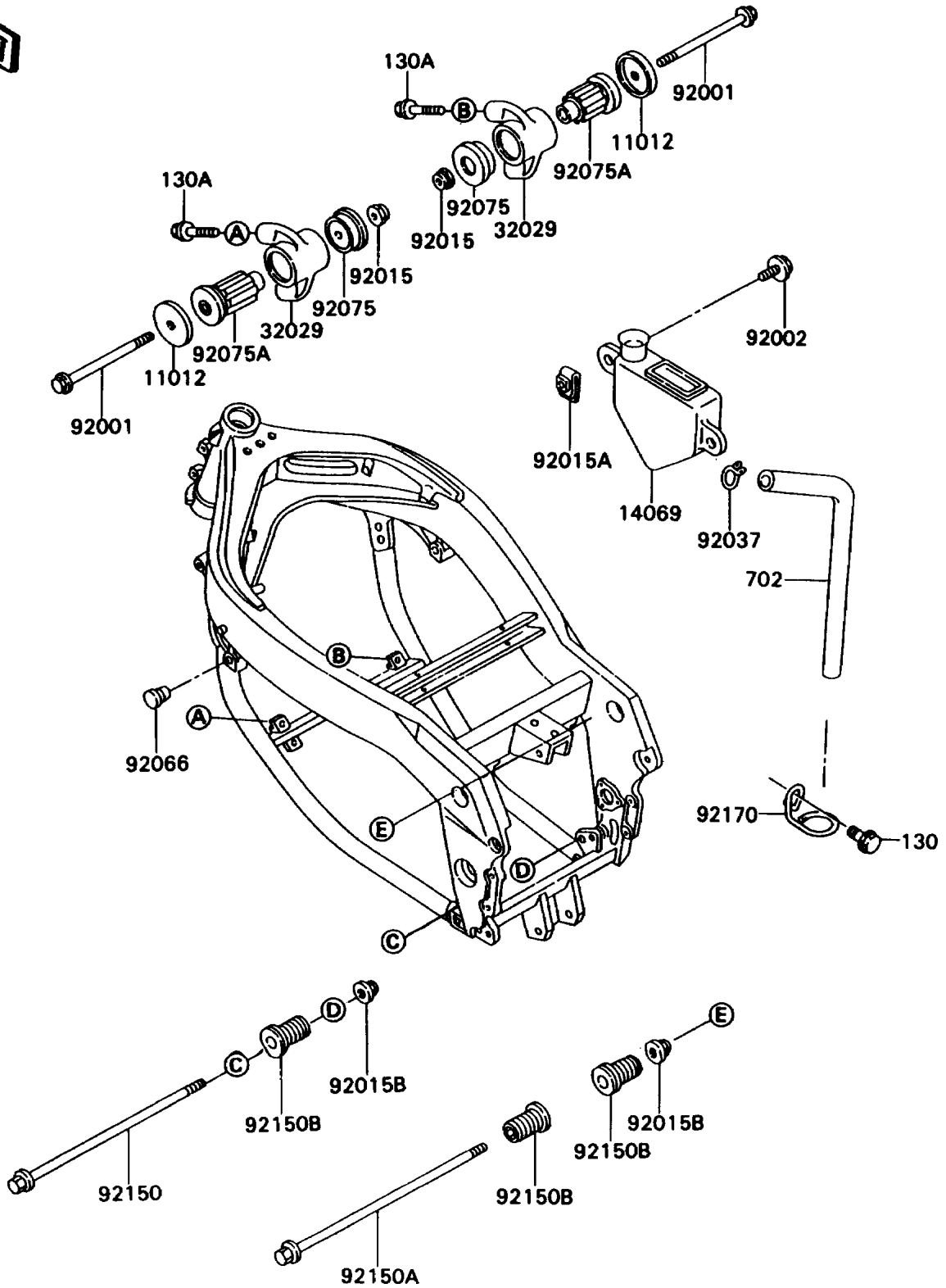


1990 Ninja® ZX™-7 PARTS DIAGRAM

Frame Fittings

F2131



1990 Ninja® ZX™-7 PARTS LIST

Frame Fittings

ITEM NAME	PART NUMBER	QUANTITY
CAP,ENGINE BRACKET (Ref # 11012)	11012-1228	2
BREATHER (Ref # 14069)	14069-1054	1
BRACKET-ENGINE,FR (Ref # 32029)	32029-1698	2
BOLT,FLANGED,10X105,BLACK (Ref # 92001)	92001-1751	2
BOLT,6X16 (Ref # 92002)	92002-1852	2
NUT,LOCK,10MM (Ref # 92015)	92015-1429	2
NUT,6MM (Ref # 92015A)	92015-1602	1
NUT,10MM (Ref # 92015B)	92015-1720	2
CLAMP,TUBE (Ref # 92037)	92037-147	1
PLUG (Ref # 92066)	92066-1220	2
DAMPER,ENGINE MOUNT,SIDE (Ref # 92075)	92075-1274	2
DAMPER,ENGINE MOUNT,MAIN (Ref # 92075A)	92075-1377	2
BOLT,FLANGED,10X220 (Ref # 92150)	92150-1189	1
BOLT,FLANGED,10X235 (Ref # 92150A)	92150-1263	1
BOLT,20X30 (Ref # 92150B)	92150-1264	3
CLAMP,HOSE (Ref # 92170)	92170-1117	1
BOLT-FLANGED (Ref # 130)	130J0610	1
BOLT-FLANGED,8X25,BLACK (Ref # 130A)	130J0825	4
TUBE-RUBBER,7X10X430 (Ref # 702)	702A07430	1