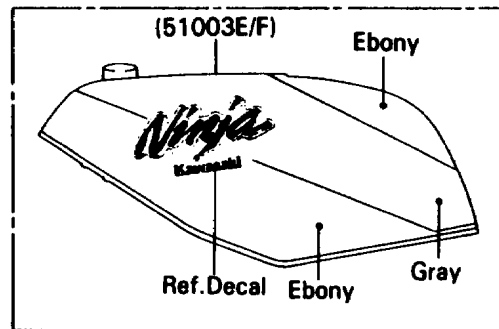
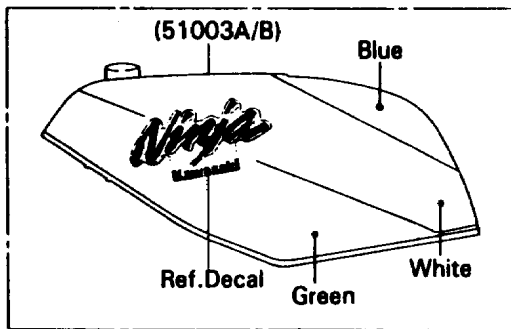
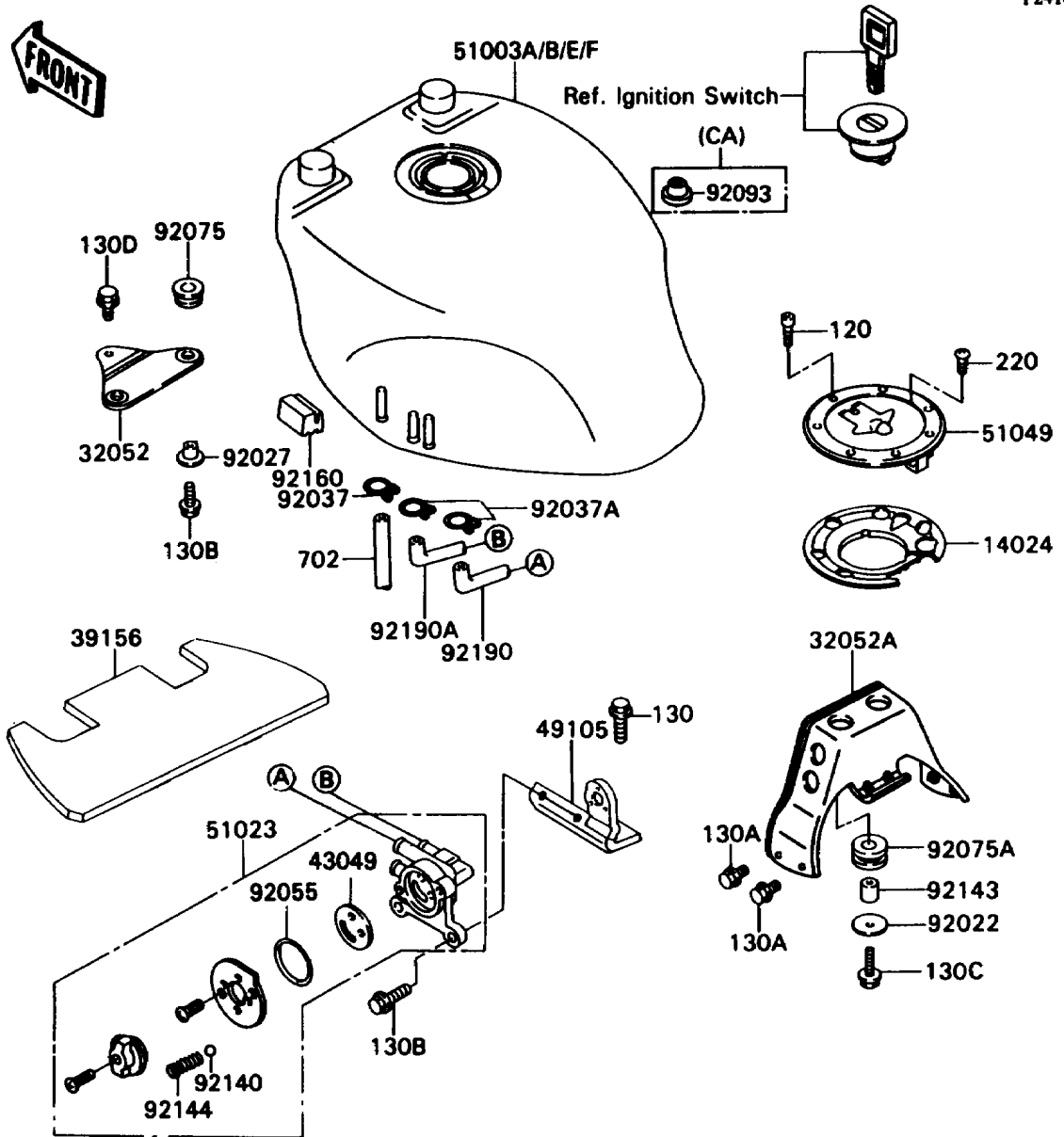


# 1990 Ninja® ZX™ -7 PARTS DIAGRAM

Fuel Tank

F2410



# 1990 Ninja® ZX™-7 PARTS LIST

## Fuel Tank

| ITEM NAME                                     | PART NUMBER   | QUANTITY |
|---|---------------|----------|
| COVER,TANK CAP (Ref # 14024)                  | 14025-1913    | 1        |
| BRACKET-TANK,FR (Ref # 32052)                 | 32052-1280    | 1        |
| BRACKET-TANK,RR (Ref # 32052A)                | 32052-1309    | 1        |
| PAD,FUEL TANK (Ref # 39156)                   | 39156-1143    | 1        |
| PACKING,TAP VALVE (Ref # 43049)               | 43049-1066    | 1        |
| BRACKET-TAP (Ref # 49105)                     | 49105-1053    | 1        |
| TANK-COMP-FUEL,GREEN/BLUE/WHIT (Ref # 51003A) | 51003-5114-DZ | 1        |
| TANK-COMP-FUEL,GREEN/BLUE/WHIT (Ref # 51003B) | 51003-5115-DZ | 1        |
| TANK-COMP-FUEL,EBONY/GRAY (Ref # 51003E)      | 51003-5137-T4 | 1        |
| TANK-COMP-FUEL,EBONY/GRAY (Ref # 51003F)      | 51003-5138-T4 | 1        |
| TAP-ASSY,FUEL (Ref # 51023)                   | 51023-1172    | 1        |
| CAP-TANK,FUEL (Ref # 51049)                   | 51049-1091    | 1        |
| WASHER,7X28X1.6 (Ref # 92022)                 | 92022-1282    | 2        |
| COLLAR,L=13.1 (Ref # 92027)                   | 92027-251     | 2        |
| CLAMP,TUBE (Ref # 92037)                      | 92037-010     | 1        |
| CLAMP,TUBE (Ref # 92037A)                     | 92037-1972    | 4        |
| RING-O,TAP LEVER (Ref # 92055)                | 92055-1419    | 1        |
| DAMPER (Ref # 92075)                          | 92075-112     | 2        |
| DAMPER (Ref # 92075A)                         | 92075-1736    | 2        |
| SEAL,FUEL TANK CAP (Ref # 92093)              | 92093-1030    | 1        |
| BALL,STAINLESS,5/32" (Ref # 92140)            | 92140-1051    | 1        |
| COLLAR,6.5X12X16.5 (Ref # 92143)              | 92143-1299    | 2        |
| SPRING,FUEL TAP KNOB (Ref # 92144)            | 92144-1212    | 1        |
| DAMPER (Ref # 92160)                          | 92160-1128    | 2        |
| TUBE,"ON" (Ref # 92190)                       | 92059-1995    | 1        |
| TUBE,"RES" (Ref # 92190A)                     | 92059-1996    | 1        |
| BOLT-SOCKET (Ref # 120)                       | 120S0512      | 7        |
| BOLT-FLANGED,6X10 (Ref # 130)                 | 130H0610      | 2        |
| BOLT-FLANGED,6X14 (Ref # 130A)                | 130H0614      | 4        |

# 1990 Ninja® ZX™-7 PARTS LIST

## Fuel Tank

| ITEM NAME                            | PART NUMBER | QUANTITY |
|--------------------------------------|-------------|----------|
| BOLT-FLANGED (Ref # 130B)            | 130H0620    | 4        |
| BOLT-FLANGED,6X25 (Ref # 130C)       | 130H0625    | 2        |
| BOLT-FLANGED,6X30,BLACK (Ref # 130D) | 130J0630    | 1        |
| SCREW-PAN-CROS (Ref # 220)           | 220C0508    | 1        |
| TUBE-RUBBER,7X720 (Ref # 702)        | 702A07720   | 1        |