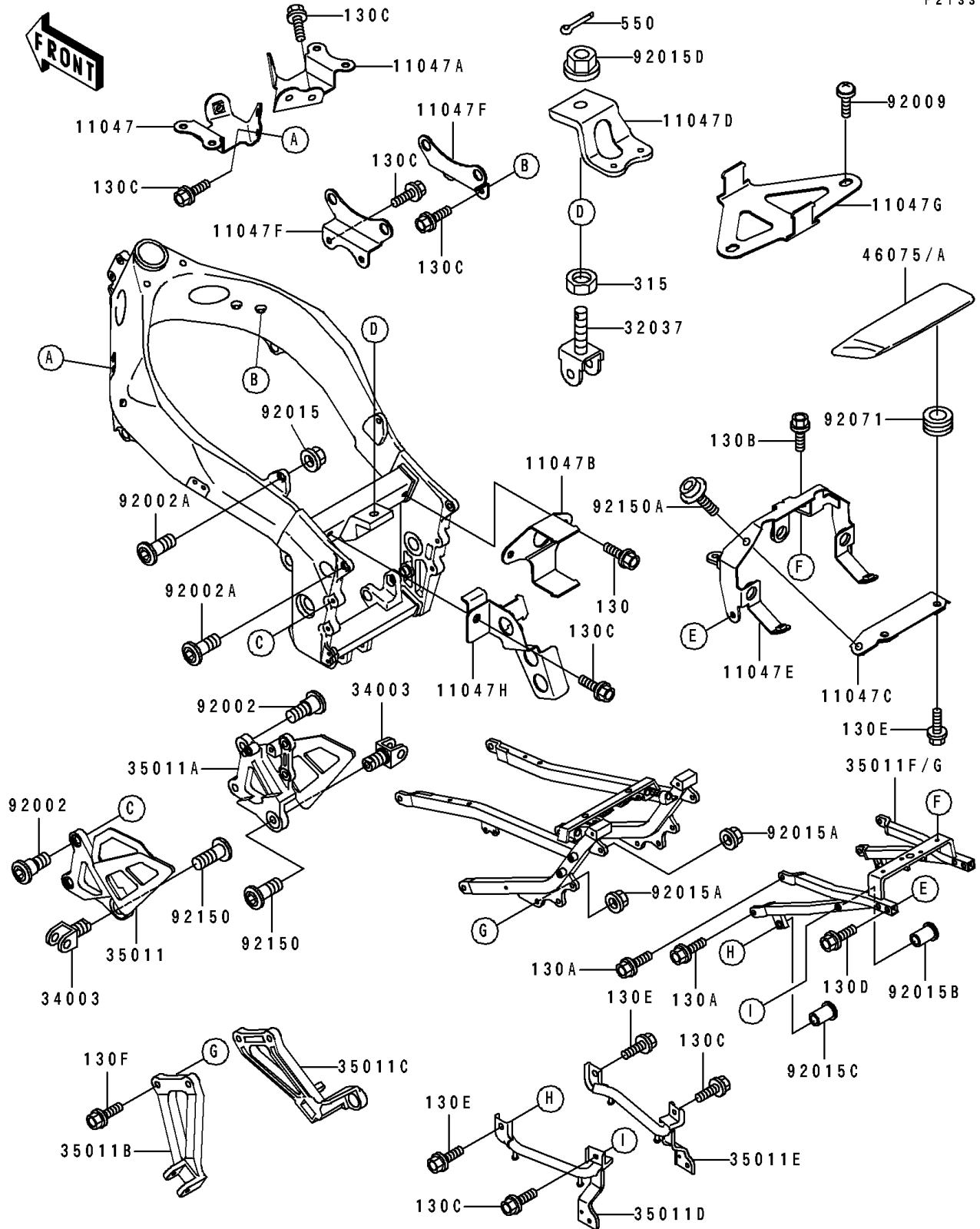


# 1992 Ninja® ZX™ -7 PARTS DIAGRAM

## Electro Bracket

F2133



# 1992 Ninja® ZX™ -7 PARTS LIST

## Electro Bracket

ITEM NAME	PART NUMBER	QUANTITY
BRACKET,RADIATOR,UPP,LH (Ref # 11047)	11047-1263	1
BRACKET,RADIATOR,UPP,RH (Ref # 11047A)	11047-1264	1
BRACKET,FUEL PUMP (Ref # 11047B)	11047-1265	1
BRACKET,GRIP (Ref # 11047C)	11047-1266	1
BRACKET,BATTERY (Ref # 11047D)	11047-1267	1
BRACKET,TAIL LAMP (Ref # 11047E)	11047-1343	1
BRACKET,IGNITION COIL (Ref # 11047F)	11047-1345	2
BRACKET,IGNITER (Ref # 11047G)	11047-1502	1
BRACKET,FUEL FILTER (Ref # 11047H)	11047-1522	1
BRACKET-SHOCKABSORBER (Ref # 32037)	32037-1564	1
HOLDER-STEP (Ref # 34003)	34003-1327	2
STAY,FR,LH (Ref # 35011)	35011-1552	1
STAY,FR,RH (Ref # 35011A)	35011-1553	1
STAY,RR,LH (Ref # 35011B)	35011-1554	1
STAY,RR,RH (Ref # 35011C)	35011-1555	1
STAY,REAR GRIP,LH (Ref # 35011D)	35011-1559	1
STAY,REAR GRIP,RH (Ref # 35011E)	35011-1560	1
STAY,REAR FRAME,SILVER NO.30 (Ref # 35011F)	35011-1577-KF	1
STAY,REAR FRAME,BLACK (Ref # 35011G)	35011-1577-10	1
GRIP,GRABRAIL,C.W.RED (Ref # 46075)	46075-1094-H3	1
GRIP,GRABRAIL,BLUE 36 (Ref # 46075A)	46075-1094-KD	1
BOLT,SOCKET,8X20 (Ref # 92002)	92002-1493	4
BOLT,SOCKET,10X25 (Ref # 92002A)	92002-1928	4
SCREW,6X14 (Ref # 92009)	92009-1662	2
NUT,FLANGED,10MM (Ref # 92015)	92015-1387	2
NUT,FLANGED,8MM (Ref # 92015A)	92015-1406	8
NUT,POP,6MM,L=15 (Ref # 92015B)	92015-1791	2
NUT,POP,8MM,L=18 (Ref # 92015C)	92015-1794	2
NUT,FLANGED,16MM (Ref # 92015D)	92015-1881	1

# 1992 Ninja® ZX™ -7 PARTS LIST

## Electro Bracket

ITEM NAME	PART NUMBER	QUANTITY
GROMMET (Ref # 92071)	92071-1027	2
BOLT,SOCKET,10X25 (Ref # 92150)	92150-1268	2
BOLT,SOCKET,8X14 (Ref # 92150A)	92150-1542	2
BOLT-FLANGED,6X16 (Ref # 130)	130G0616	2
BOLT-FLANGED,8X25 (Ref # 130A)	130H0825	4
BOLT-FLANGED,6X14,BLACK (Ref # 130B)	130J0614	2
BOLT-FLANGED,6X16,BLACK (Ref # 130C)	130J0616	11
BOLT-FLANGED,6X35 (Ref # 130D)	130J0635	2
BOLT-FLANGED,8X20 (Ref # 130E)	130J0820	4
BOLT-FLANGED,8X30 (Ref # 130F)	130J0830	4
NUT-HEX-FINE,16MM (Ref # 315)	315B1600	1
PIN-COTTER,4.0X25 (Ref # 550)	550D4025	1