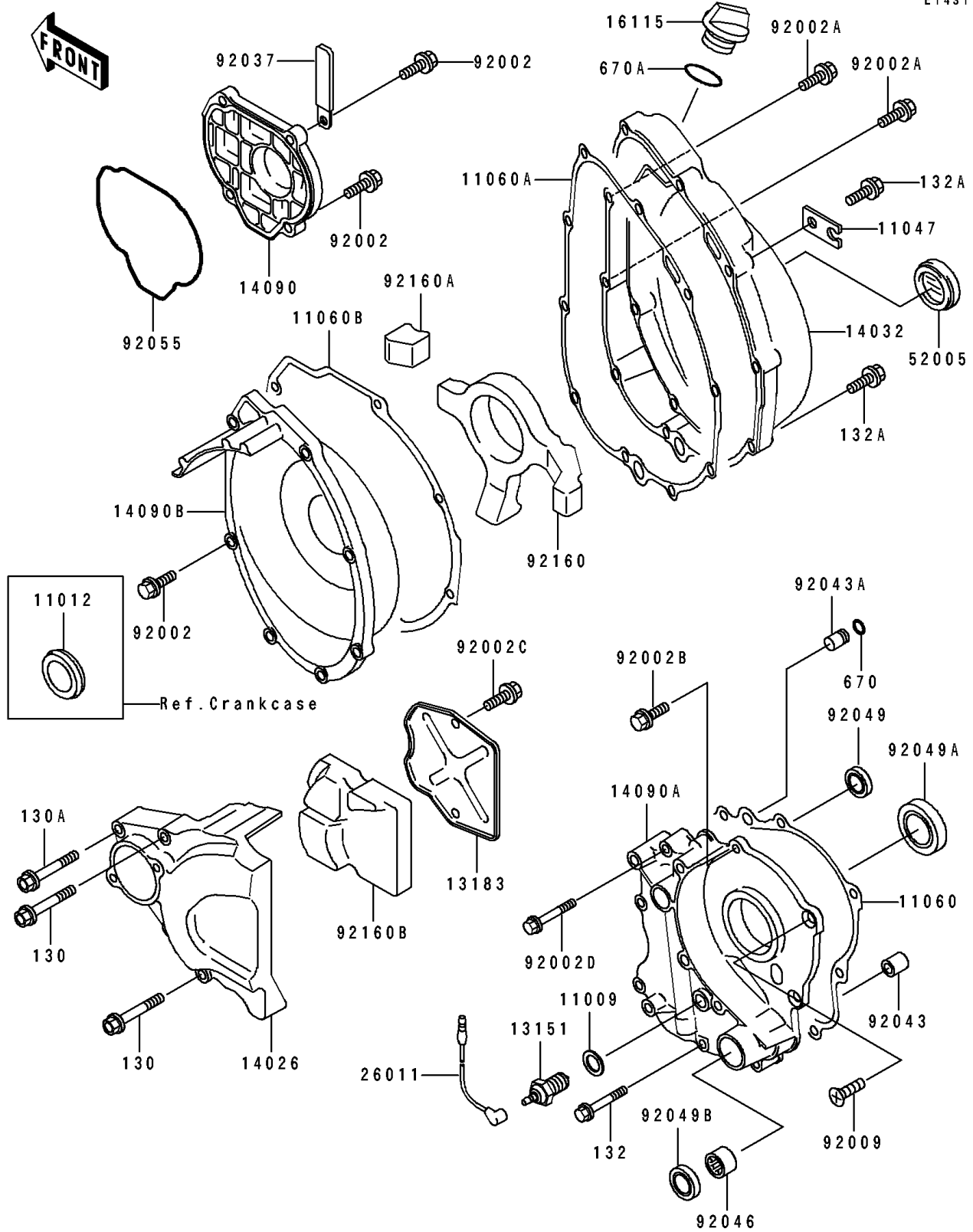


# 1992 Ninja® ZX™ -7R PARTS DIAGRAM

## Engine Cover

E1431



# 1992 Ninja® ZX™-7R PARTS LIST

## Engine Cover

| ITEM NAME                                   | PART NUMBER | QUANTITY |
|---|-------------|----------|
| GASKET,10.5X16X1,DRAIN PLUG (Ref # 11009)   | 92065-058   | 1        |
| CAP,LH (Ref # 11012)                        | 11012-1770  | 1        |
| BRACKET,THROTTLE ADJUST SCREW (Ref # 11047) | 11047-1518  | 1        |
| GASKET,TRANSMISSION COVER (Ref # 11060)     | 11060-1079  | 1        |
| GASKET,CLUTCH COVER (Ref # 11060A)          | 11060-1080  | 1        |
| GASKET,BREATHER COVER (Ref # 11060B)        | 11060-1212  | 1        |
| SWITCH-COMP,NEUTRAL (Ref # 13151)           | 13151-1007  | 1        |
| PLATE,CHAIN COVER (Ref # 13183)             | 13183-1717  | 1        |
| COVER-CHAIN (Ref # 14026)                   | 14026-1166  | 1        |
| COVER-CLUTCH (Ref # 14032)                  | 14032-1300  | 1        |
| COVER,PULSING (Ref # 14090)                 | 14024-1998  | 1        |
| COVER,TRANSMISSION (Ref # 14090A)           | 14090-1051  | 1        |
| COVER,BREATHER (Ref # 14090B)               | 14090-1052  | 1        |
| CAP-OIL FILLER (Ref # 16115)                | 16115-1053  | 1        |
| WIRE-LEAD (Ref # 26011)                     | 26011-1510  | 1        |
| GAUGE,OIL LEVEL (Ref # 52005)               | 52005-1057  | 1        |
| BOLT,6X20 (Ref # 92002)                     | 92002-1343  | 11       |
| BOLT,6X25 (Ref # 92002A)                    | 92002-1344  | 2        |
| BOLT,6X16 (Ref # 92002B)                    | 92002-1439  | 1        |
| BOLT,6X10 (Ref # 92002C)                    | 92002-1449  | 2        |
| BOLT,6X30 (Ref # 92002D)                    | 92002-1622  | 3        |
| SCREW,6X16 (Ref # 92009)                    | 92009-1360  | 2        |
| CLAMP,WIRING HARNESS (Ref # 92037)          | 92037-1877  | 1        |
| PIN,DOWEL,6.3X8X14 (Ref # 92043)            | 92042-007   | 1        |
| PIN (Ref # 92043A)                          | 92043-1456  | 1        |
| BEARING-NEEDLE,HK1312 (Ref # 92046)         | 92046-1148  | 1        |
| SEAL-OIL,SD-8187 (Ref # 92049)              | 92049-1017  | 1        |
| SEAL-OIL,TC32488 (Ref # 92049A)             | 92049-1361  | 1        |
| SEAL-OIL,TB13225.5 (Ref # 92049B)           | 92051-005   | 1        |

# 1992 Ninja® ZX™-7R PARTS LIST

## Engine Cover

| ITEM NAME                            | PART NUMBER | QUANTITY |
|--------------------------------------|-------------|----------|
| RING-O,PULSING COVER (Ref # 92055)   | 92055-1494  | 1        |
| DAMPER,SOUND ARRESTER (Ref # 92160)  | 92160-1260  | 1        |
| DAMPER,SOUND ARRESTER (Ref # 92160A) | 92160-1282  | 1        |
| DAMPER,SOUND ARRESTER (Ref # 92160B) | 92160-1289  | 1        |
| BOLT-FLANGED,6X35 (Ref # 130)        | 130J0635    | 2        |
| BOLT-FLANGED,6X45,BLACK (Ref # 130A) | 130J0645    | 2        |
| BOLT-FLANGED-SMALL (Ref # 132)       | 132E0630    | 2        |
| BOLT-FLANGED-SMALL (Ref # 132A)      | 132J0630    | 8        |
| O RING,5MM (Ref # 670)               | 670B1505    | 1        |
| O RING,20MM (Ref # 670A)             | 670B2020    | 1        |