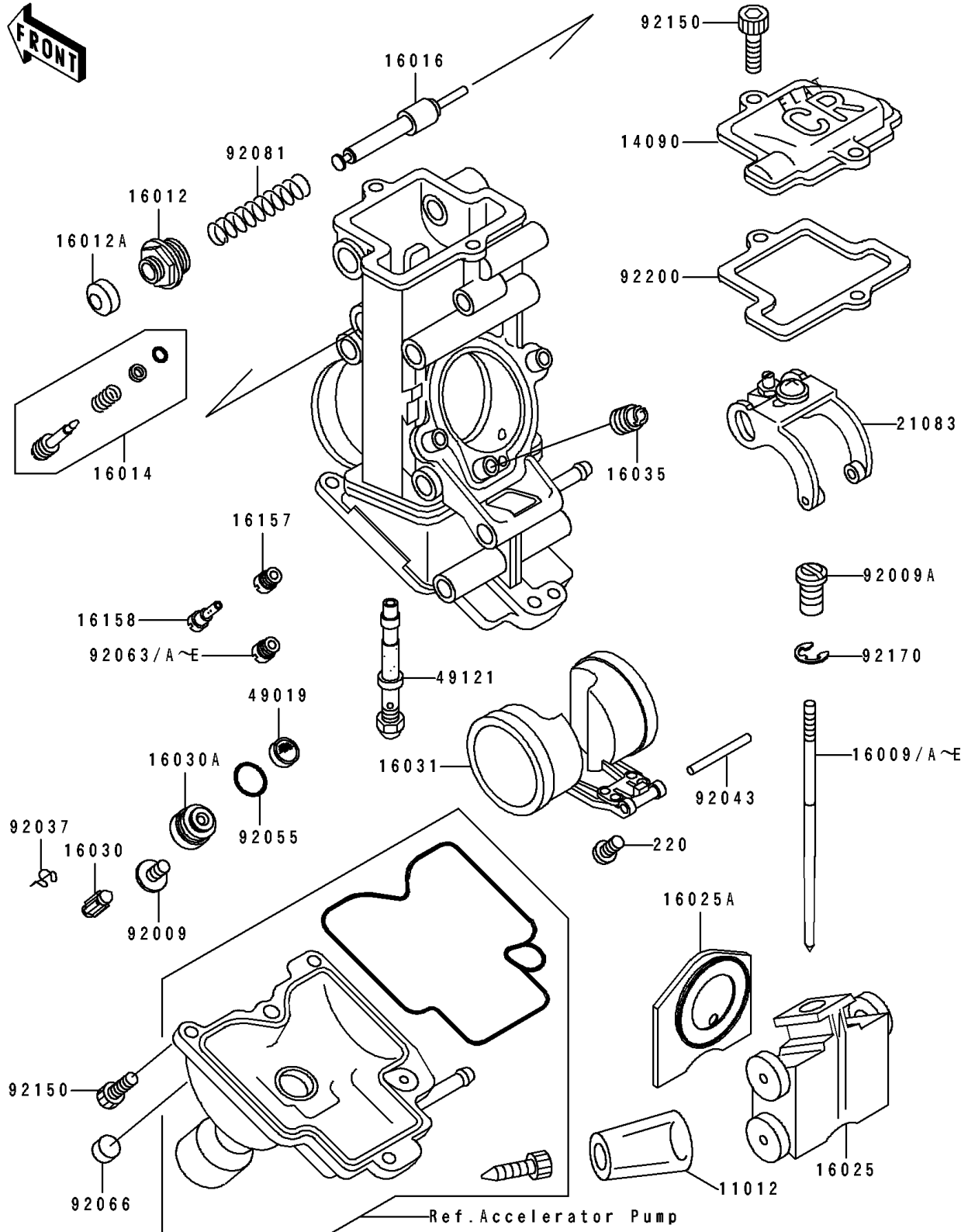


1991 Ninja® ZX™-7R PARTS DIAGRAM

Carburetor Parts

E1612



1991 Ninja® ZX™-7R PARTS LIST

Carburetor Parts

| ITEM NAME | PART NUMBER | QUANTITY |
|--|-------------|----------|
| CAP,DRAIN SCREW (Ref # 11012) | 11012-1675 | 4 |
| COVER,CHAMBER TOP (Ref # 14090) | 14090-1150 | 4 |
| NEEDLE-JET,OBEMP,OUTSIDE (Ref # 16009) | 16009-1658 | 2 |
| NEEDLE-JET,OBFMP,INSIDE (Ref # 16009A) | 16009-1659 | 2 |
| NEEDLE-JET,NOGC,OUTSIDE (Ref # 16009B) | 16009-1660 | 2 |
| NEEDLE-JET,NOGD,INSIDE (Ref # 16009C) | 16009-1661 | 2 |
| NEEDLE-JET,NOGA,OUTSIDE (Ref # 16009D) | 16009-1662 | 2 |
| NEEDLE-JET,NOGB,INSIDE (Ref # 16009E) | 16009-1663 | 2 |
| CAP-STARTER PLUNGER (Ref # 16012) | 16012-1051 | 4 |
| CAP-STARTER PLUNGER (Ref # 16012A) | 16012-1052 | 4 |
| SCREW-PILOT AIR (Ref # 16014) | 16014-1069 | 4 |
| PLUNGER (Ref # 16016) | 16016-1081 | 4 |
| VALVE-THROTTLE (Ref # 16025) | 16025-1177 | 4 |
| VALVE-THROTTLE (Ref # 16025A) | 16025-1178 | 4 |
| VALVE-FLOAT (Ref # 16030) | 16030-1007 | 4 |
| SEAT-VALVE,FLOAT (Ref # 16030A) | 16030-1073 | 4 |
| FLOAT (Ref # 16031) | 16031-1072 | 4 |
| JET-AIR,#120 (Ref # 16035) | 16035-1061 | 4 |
| JET-STARTER,#55 (Ref # 16157) | 16157-1061 | 4 |
| JET-SLOW,#42 (Ref # 16158) | 16158-1051 | 4 |
| ARM,THROTTLE VALVE (Ref # 21083) | 21083-1095 | 4 |
| FILTER-FUEL,STRAINER (Ref # 49019) | 49019-3707 | 4 |
| NOZZLE-MAIN (Ref # 49121) | 49121-1054 | 4 |
| SCREW,4X8 (Ref # 92009) | 92009-1550 | 4 |
| SCREW,NEEDLE (Ref # 92009A) | 92009-1630 | 4 |
| CLAMP,FLOAT VALVE (Ref # 92037) | 16044-007 | 4 |
| PIN,FLOAT (Ref # 92043) | 92043-1207 | 4 |
| RING-O,VALVE SEAT (Ref # 92055) | 92055-1425 | 4 |
| JET-MAIN,2ND,#100 (Ref # 92063) | 92063-1008 | 4 |

1991 Ninja® ZX™-7R PARTS LIST

Carburetor Parts

| ITEM NAME | PART NUMBER | QUANTITY |
|---|-------------|----------|
| JET-MAIN,#140 (Ref # 92063A) | 92063-1013 | 4 |
| JET-MAIN,#135 (Ref # 92063B) | 92063-1014 | 4 |
| JET-MAIN,#138 (Ref # 92063C) | 92063-1015 | 4 |
| JET-MAIN,#142 (Ref # 92063D) | 92063-1016 | 4 |
| JET-MAIN,#132 (Ref # 92063E) | 92063-1076 | 4 |
| PLUG,PILOT AIR SCREW,6.9X2 (Ref # 92066) | 92066-1051 | 4 |
| SPRING,STARTER PLUNGER (Ref # 92081) | 92081-1761 | 4 |
| BOLT,SOCKET,4X10 (Ref # 92150) | 92150-1427 | 20 |
| CLAMP,JET NEEDLE (Ref # 92170) | 92170-1204 | 4 |
| GASKET,MIXING CHAMBER COVER (Ref # 92200) | 92200-1116 | 4 |
| SCREW-PAN-CROS (Ref # 220) | 220D0408 | 4 |