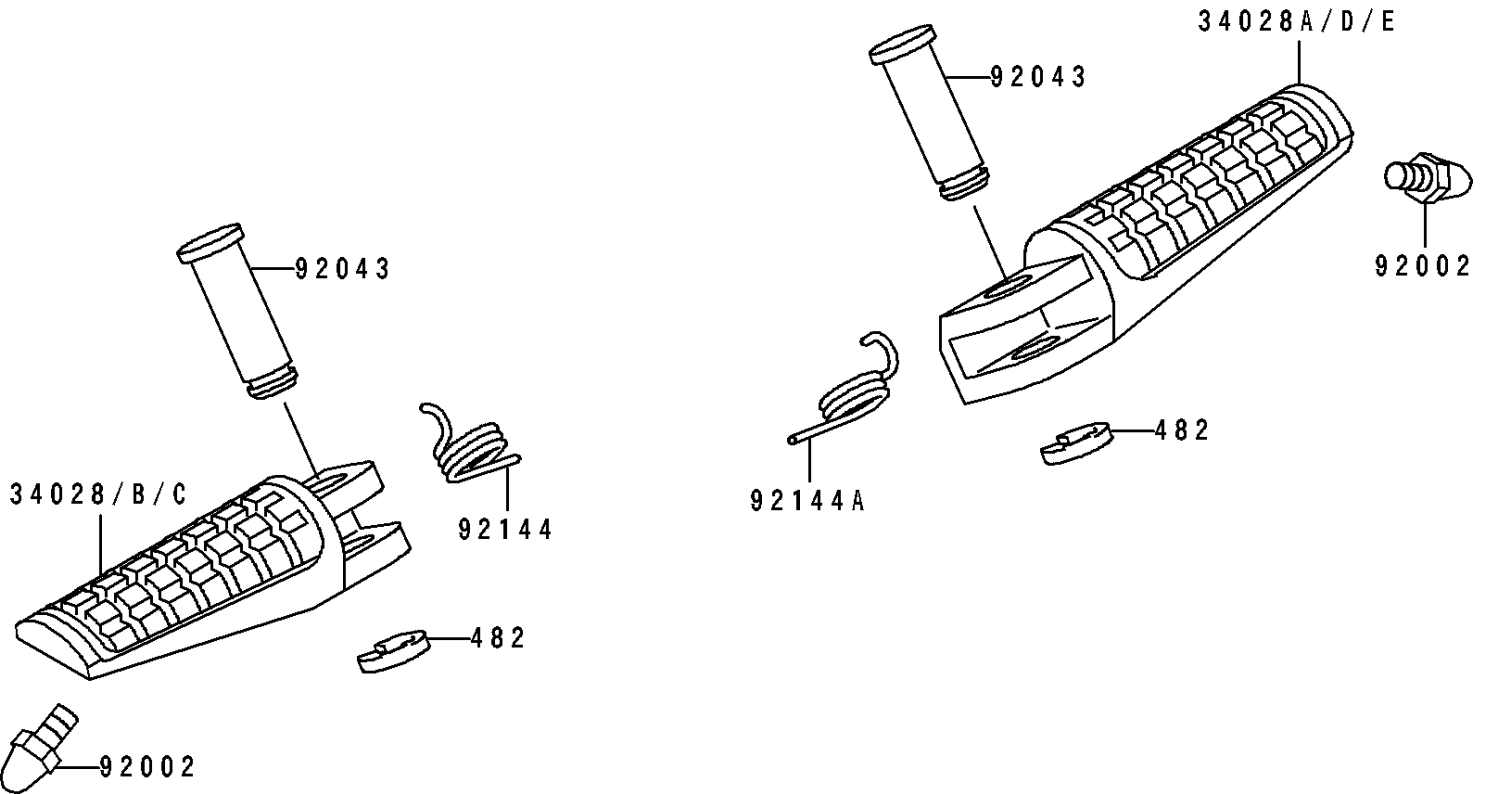


1992 Ninja® ZX™-7R PARTS DIAGRAM

Step

F2160



1992 Ninja® ZX™-7R PARTS LIST

Step

ITEM NAME	PART NUMBER	QUANTITY
STEP,FR,LH (Ref # 34028B)	34028-1338	1
STEP,FR,RH (Ref # 34028D)	34028-1339	1
BOLT,BANK SENSOR (Ref # 92002)	92002-1742	2
PIN,12X37 (Ref # 92043)	92043-1144	2
SPRING,STEP RETURN,LH (Ref # 92144)	92144-1567	1
SPRING,STEP RETURN,RH (Ref # 92144A)	92144-1568	1
CIRCLIP-TYPE-E,10MM (Ref # 482)	482L0100	2