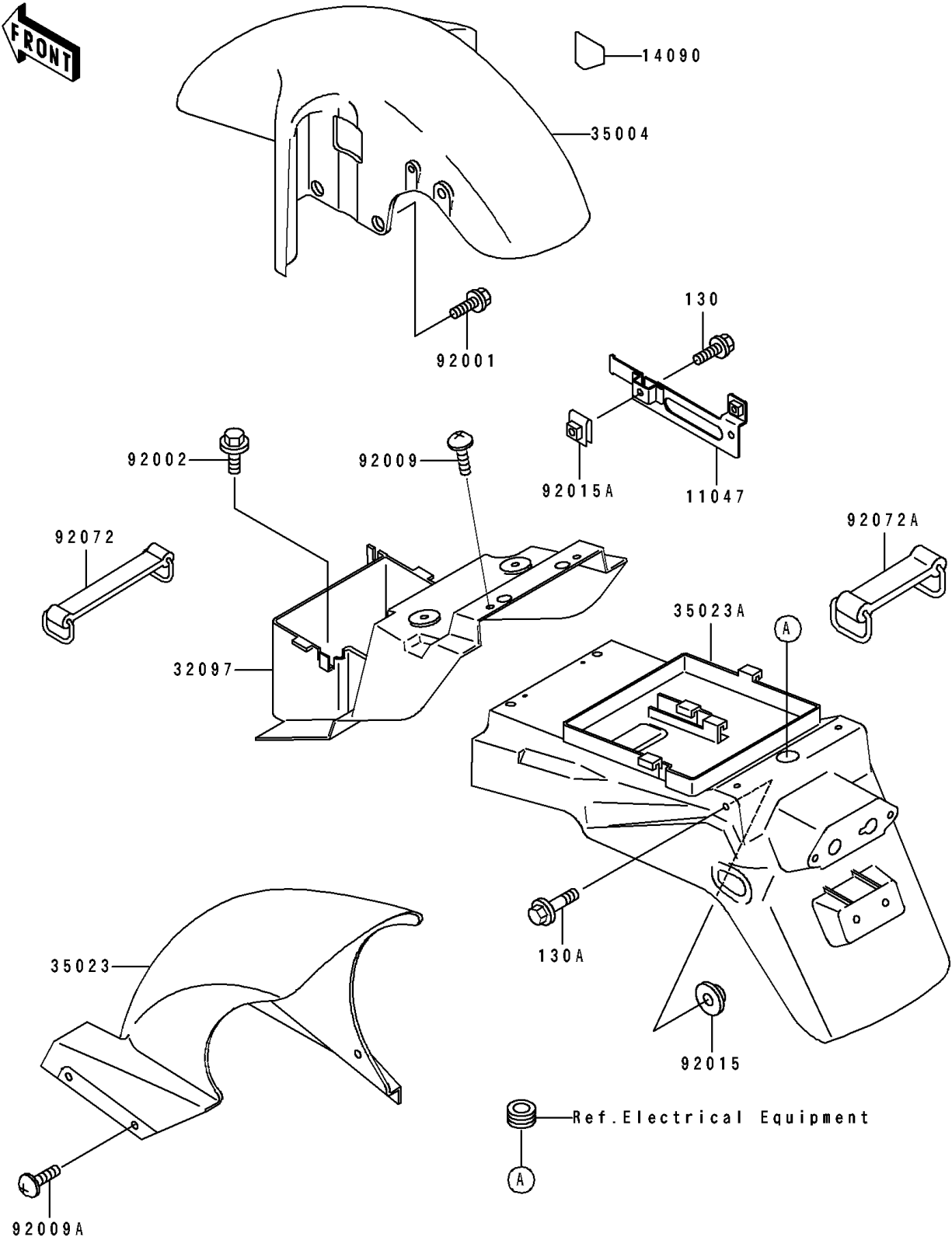


# 1992 Ninja® ZX™ -7R PARTS DIAGRAM

Fender

F2170



# 1992 Ninja® ZX™-7R PARTS LIST

## Fender

ITEM NAME	PART NUMBER	QUANTITY
BRACKET,ELECTRIC BASE (Ref # 11047)	11047-1272	1
COVER,FRONT FENDER (Ref # 14090)	14090-1151	1
CASE-BATTERY (Ref # 32097)	32097-1140	1
FENDER-FRONT,L.GREEN (Ref # 35004)	35004-1281-7F	1
FENDER-REAR,FR (Ref # 35023)	35023-1309	1
FENDER-REAR,RR (Ref # 35023A)	35023-1314	1
BOLT,W/SP,6X16 (Ref # 92001)	92001-1763	4
BOLT,6X12 (Ref # 92002)	92002-1884	2
SCREW,6X20 (Ref # 92009)	92009-1289	2
SCREW,6X10 (Ref # 92009A)	92009-1402	5
NUT,6MM (Ref # 92015)	92015-1321	2
NUT,CLAMP,6MM (Ref # 92015A)	92015-1531	2
BAND,L=142.1 (Ref # 92072)	92072-006	1
BAND,L=50 (Ref # 92072A)	92072-066	1
BOLT-FLANGED,6X14,BLACK (Ref # 130)	130J0614	2
BOLT-FLANGED,6X40,BLACK (Ref # 130A)	130J0640	2