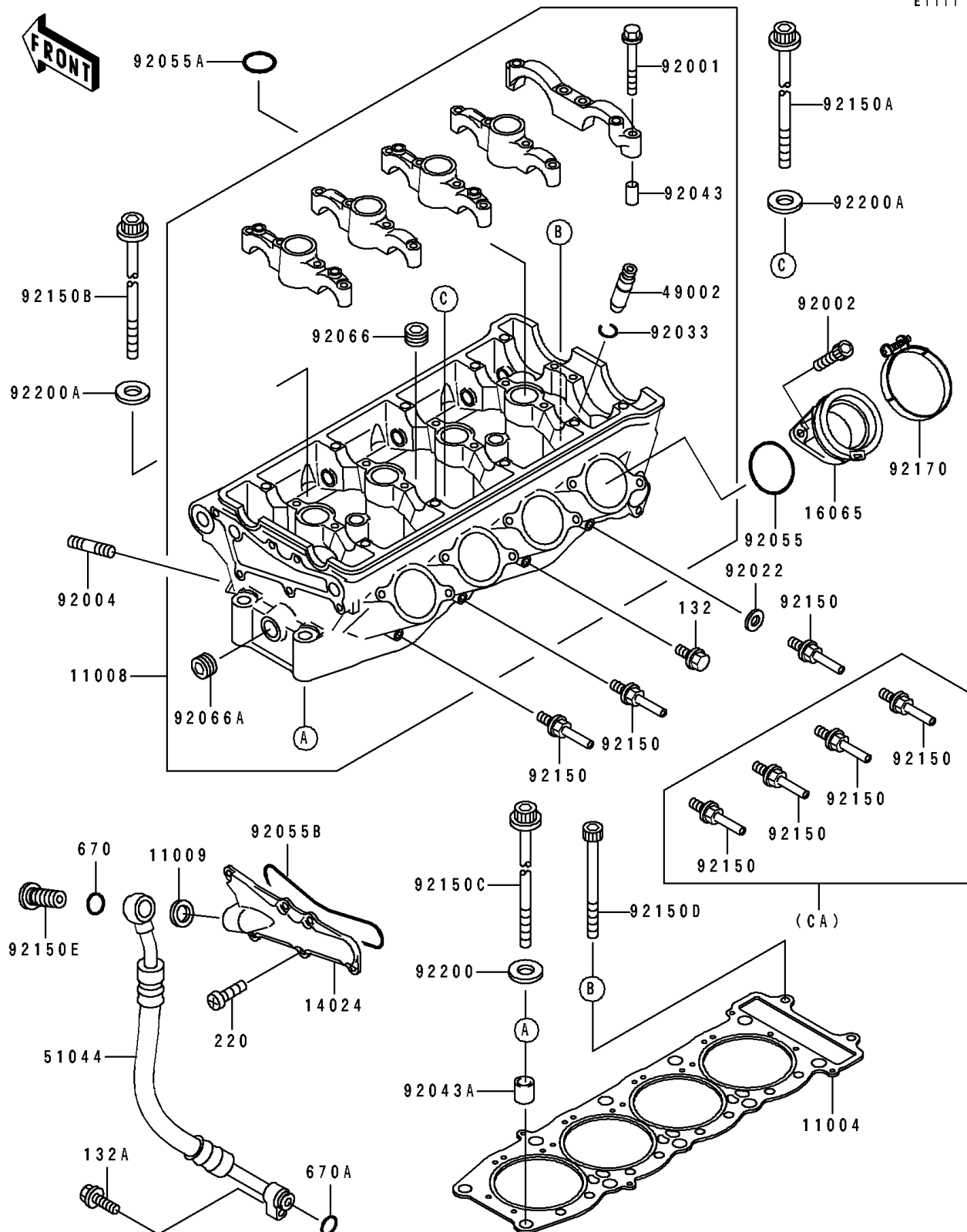


1994 Ninja® ZX™ -7 PARTS DIAGRAM

Cylinder Head

E1111



1994 Ninja® ZX™-7 PARTS LIST

Cylinder Head

ITEM NAME	PART NUMBER	QUANTITY
GASKET-HEAD,T=0.65,STD (Ref # 11004)	11004-1223	1
HEAD-COMP-CYLINDER (Ref # 11008)	11008-1262	1
GASKET,14X19.5X1.4 (Ref # 11009)	11009-1461	1
COVER,HEAD,LH (Ref # 14024)	14024-1997	1
HOLDER-CARBURETOR (Ref # 16065)	16065-1275	4
GUIDE-VALVE (Ref # 49002)	49002-1116	AR
TUBE-ASSY,OIL (Ref # 51044)	51044-1135	1
BOLT,FLANGED,6X38 (Ref # 92001)	92001-1105	20
BOLT,6X16 (Ref # 92002)	92002-1143	8
STUD,8X30 (Ref # 92004)	92004-1121	8
WASHER,6.2X11X1 (Ref # 92022)	92022-304	4
RING-SNAP (Ref # 92033)	92033-1247	16
PIN,6.2X8X14 (Ref # 92043)	92043-1263	10
PIN,10.1X12X14 (Ref # 92043A)	92043-4009	2
RING-O,43.7X1.9 (Ref # 92055)	92055-1401	4
RING-O,25.5X2 (Ref # 92055A)	92055-1403	4
RING-O (Ref # 92055B)	92055-1490	1
PLUG (Ref # 92066)	92066-1253	4
PLUG (Ref # 92066A)	92066-1262	1
BOLT (Ref # 92150)	92150-1161	4
BOLT (Ref # 92150)	92150-1161	3
BOLT,10X173 (Ref # 92150A)	92150-1460	4
BOLT,10X155 (Ref # 92150B)	92150-1461	4
BOLT,10X137 (Ref # 92150C)	92150-1462	2
BOLT,6X100 (Ref # 92150D)	92150-1463	2
BOLT,HEAD,14MM (Ref # 92150E)	92150-1543	1
CLAMP (Ref # 92170)	92170-1160	4
WASHER,10.5X19X2.3 (Ref # 92200)	92200-1042	2
WASHER,10.5X20X4.5 (Ref # 92200A)	92200-1086	8

1994 Ninja® ZX™ -7 PARTS LIST

Cylinder Head

ITEM NAME	PART NUMBER	QUANTITY
BOLT-FLANGED-SMALL (Ref # 132)	132G0610	1
BOLT-FLANGED-SMALL (Ref # 132A)	132J0625	1
SCREW-PAN-CROS,6X14 (Ref # 220)	220B0614	6
O RING,15MM (Ref # 670)	670B2015	1
O RING (Ref # 670A)	670D2010	1