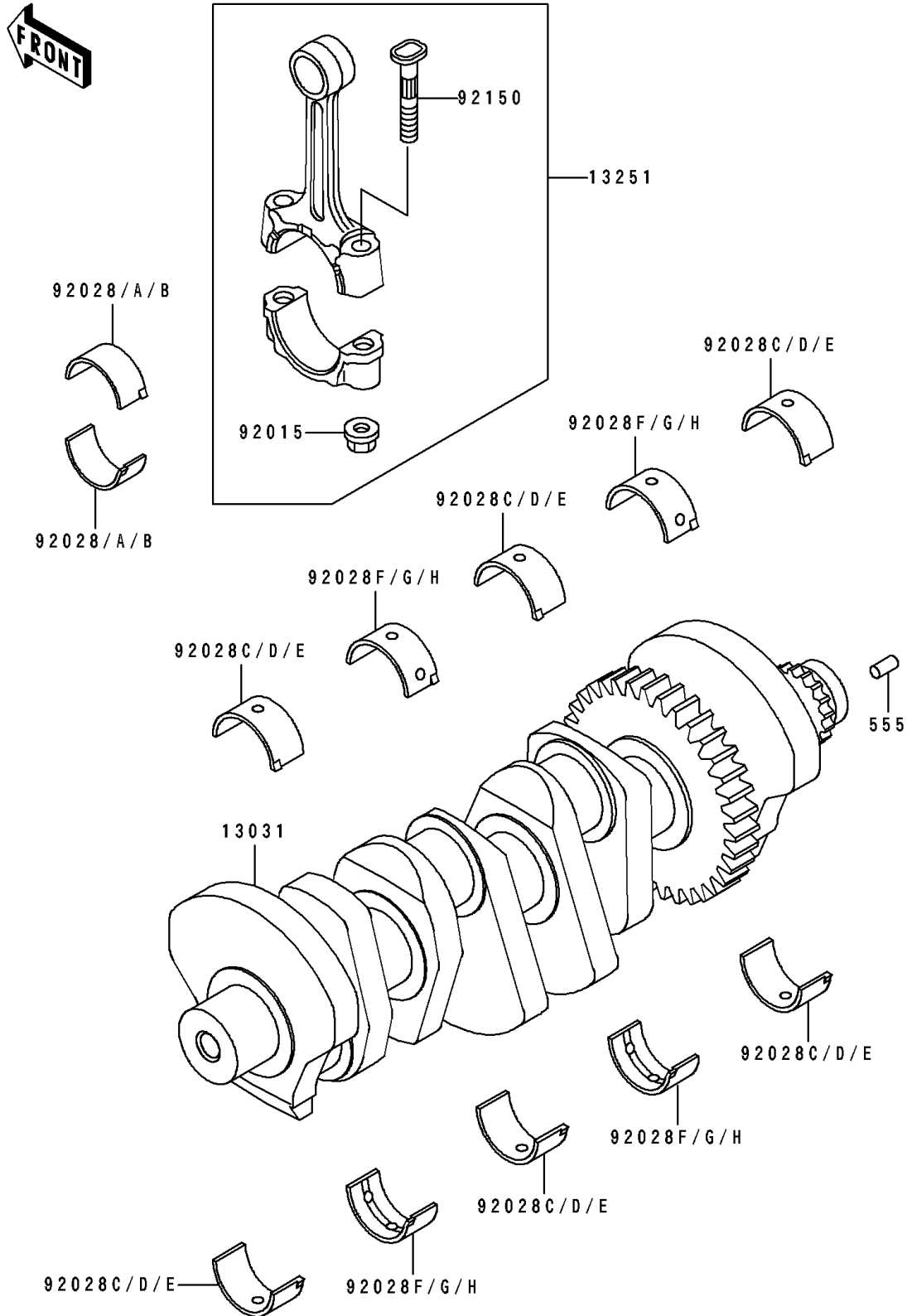


# 1995 Ninja® ZX™ -7 PARTS DIAGRAM

Crankshaft

E1321



# 1995 Ninja® ZX™ -7 PARTS LIST

## Crankshaft

ITEM NAME	PART NUMBER	QUANTITY
CRANKSHAFT-COMP (Ref # 13031)	13031-1354	1
ROD-ASSY-CONNECTING,G (Ref # 13251)	13251-1097-GG	4
NUT,FLANGED,8MM (Ref # 92015)	92015-1311	8
BUSHING,CONNECTING ROD,BLUE (Ref # 92028)	92028-1623	8
BUSHING,CONNECTING ROD,BLACK (Ref # 92028A)	92028-1624	AR
BUSHING,CONNECTING ROD,BROWN (Ref # 92028B)	92028-1625	AR
BUSHING,CRANKSHAFT,#1&3&5,BLUE (Ref # 92028C)	92028-1626	6
BUSHING,CRANKSHAFT,1&3&5,BLACK (Ref # 92028D)	92028-1627	AR
BUSHING,CRANKSHAFT,1&3&5,BROWN (Ref # 92028E)	92028-1628	AR
BUSHING,CRANKSHAFT,#2&#4,BLUE (Ref # 92028F)	92028-1629	4
BUSHING,CRANKSAHFT,#2&#4,BLACK (Ref # 92028G)	92028-1630	AR
BUSHING,CRANKSAHFT,#2&#4,BROWN (Ref # 92028H)	92028-1631	AR
BOLT,CONNECTING ROD,8MM (Ref # 92150)	92150-1216	8
PIN-SPRING,4X8 (Ref # 555)	555A0408	1