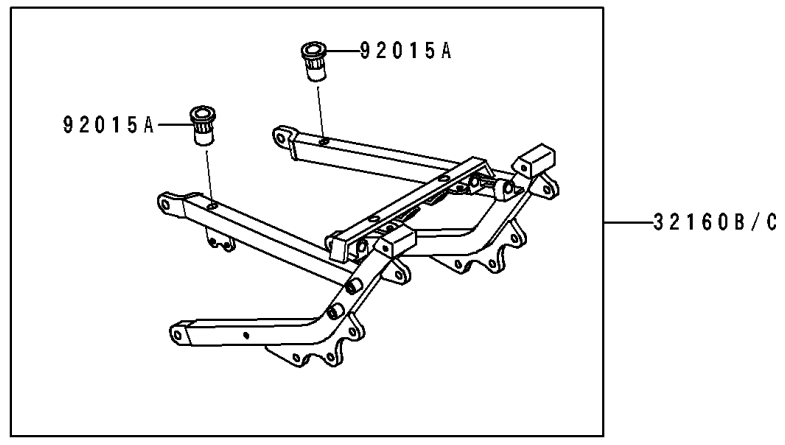
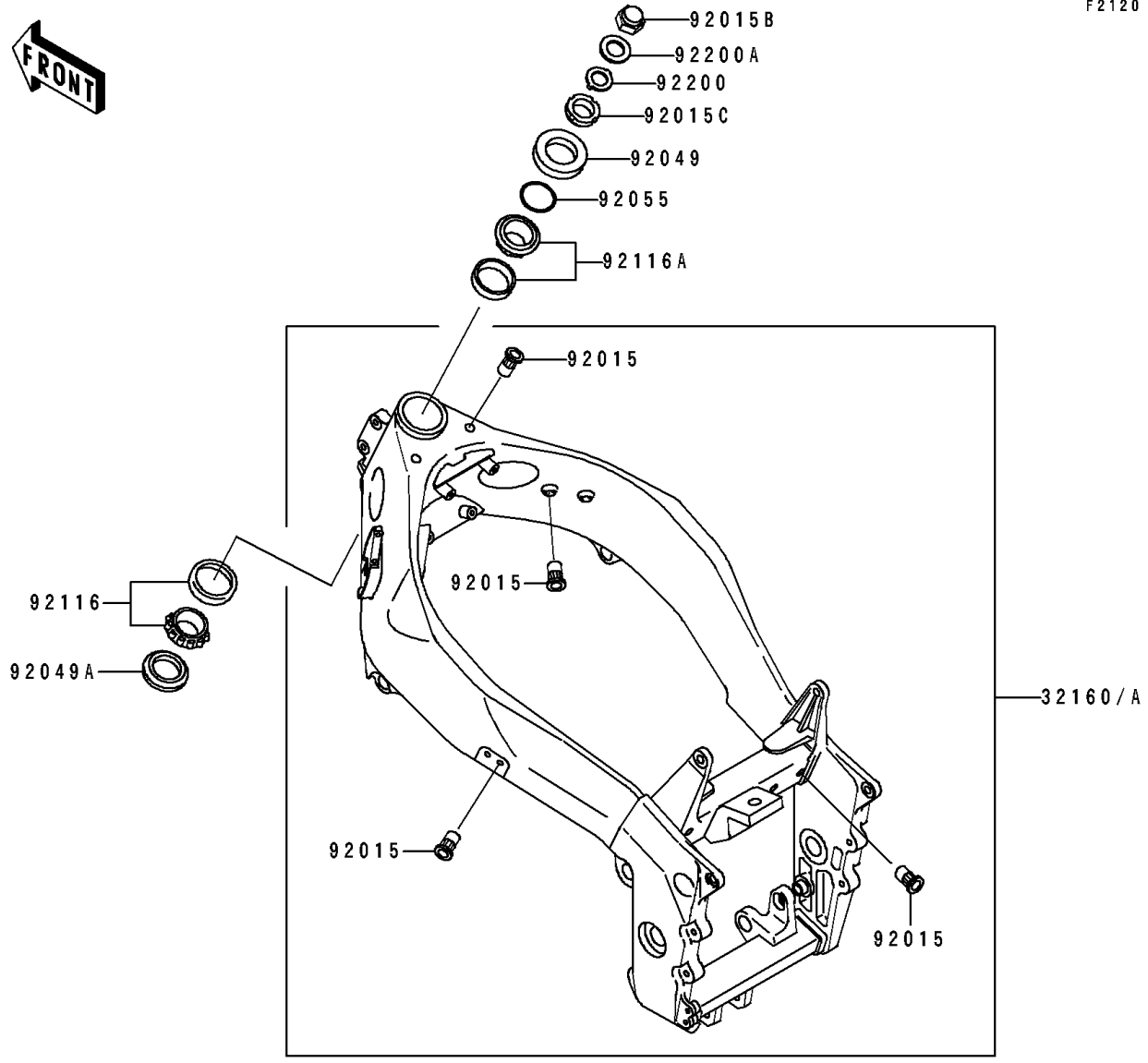


# 1993 Ninja® ZX™ -7 PARTS DIAGRAM

Frame

F2120



# 1993 Ninja® ZX™ -7 PARTS LIST

## Frame

ITEM NAME	PART NUMBER	QUANTITY
FRAME-COMP,AL,FR,SILVER NO.30 (Ref # 32160)	32160-1267-KF	1
FRAME-COMP,AL,FR,BLACK (Ref # 32160A)	32160-1267-10	1
FRAME-COMP,AL,RR,SILVER NO.30 (Ref # 32160B)	32160-1269-KF	1
FRAME-COMP,AL,RR,BLACK (Ref # 32160C)	32160-1269-10	1
NUT,POP,6MM,L=16.5 (Ref # 92015)	92015-1792	15
NUT,POP,8MM,L=16.5 (Ref # 92015A)	92015-1793	2
NUT,CAP,25MM (Ref # 92015B)	92015-1847	1
NUT,STEERING STEM,35MM (Ref # 92015C)	92015-1848	1
SEAL-OIL,XMH 43 75 6.4J (Ref # 92049)	92049-1382	1
SEAL-OIL,XMHE 43 55 4J (Ref # 92049A)	92049-1383	1
RING-O,34.5X2.0 (Ref # 92055)	92055-1452	1
BEARING-ROLLER,32907JR-2 (Ref # 92116)	92116-1072	1
BEARING-ROLLER,32907JR-3 (Ref # 92116A)	92116-1074	1
WASHER,CLAW,25.5X40X2.3 (Ref # 92200)	92200-1083	1
WASHER,25.5X42X2.3 (Ref # 92200A)	92200-1084	1