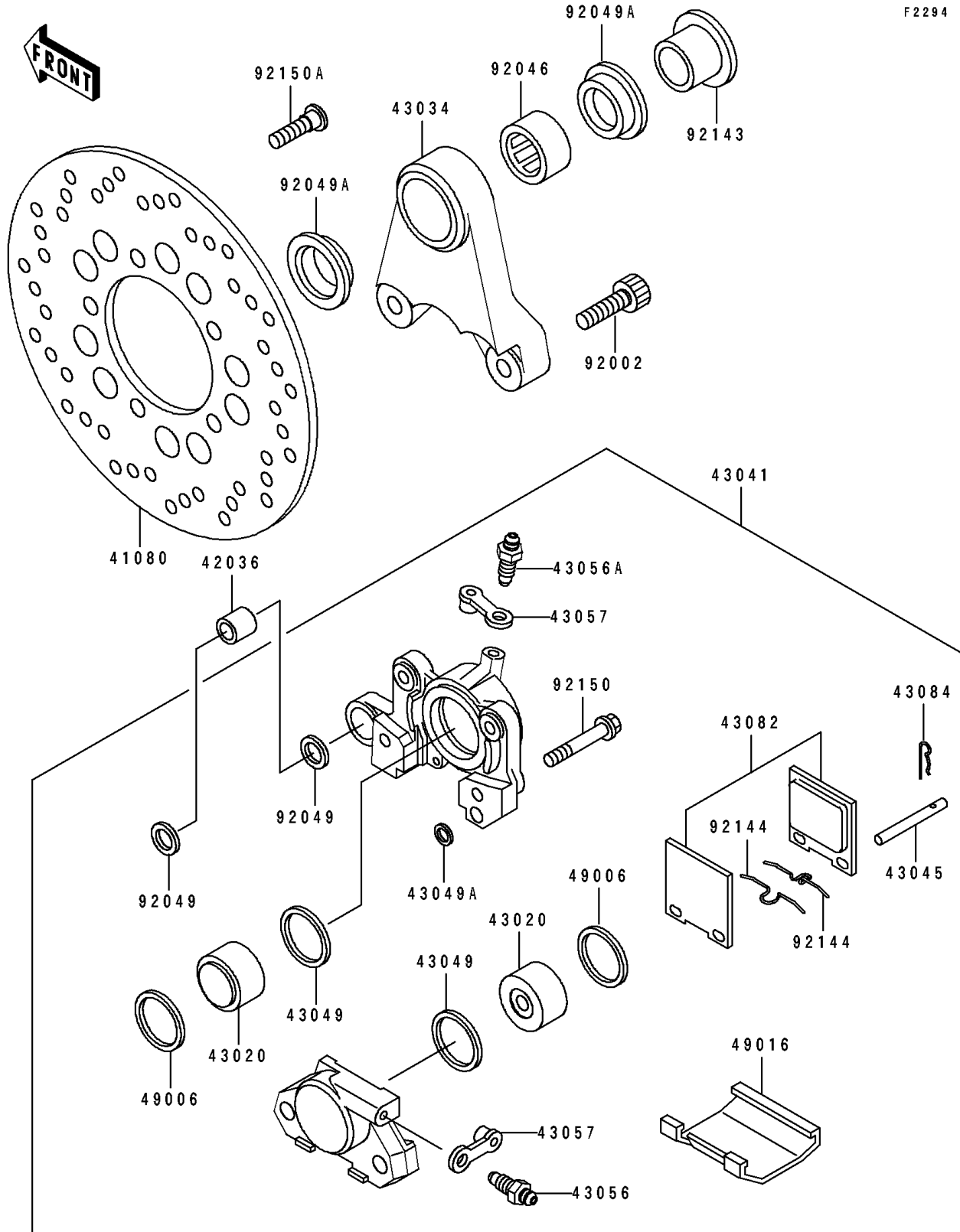


1994 Ninja® ZX™-7 PARTS DIAGRAM

Rear Brake

F2294



1994 Ninja® ZX™ -7 PARTS LIST

Rear Brake

ITEM NAME	PART NUMBER	QUANTITY
DISC,RR,C.GRAY (Ref # 41080)	41080-1242-FB	1
SLEEVE,8.1X14X17.6 (Ref # 42036)	42036-1260	1
PISTON-COMP-BRAKE (Ref # 43020)	43020-1106	2
HOLDER-BRAKE,REAR CALIPER (Ref # 43034)	43034-1115	1
CALIPER-ASSY,RR,M.F.GRAY (Ref # 43041)	43041-1503-FE	1
SHAFT-CALIPER (Ref # 43045)	43045-007	2
PACKING,PISTON SEAL (Ref # 43049)	43049-001	2
PACKING,SEAL,6.5X11.5X2.2 (Ref # 43049A)	43049-1004	1
BREATHER (Ref # 43056)	43056-003	1
BREATHER-BRAKE (Ref # 43056A)	43056-1054	1
CAP-BREATHER (Ref # 43057)	43057-003	2
PAD-ASSY-BRAKE (Ref # 43082)	43082-1098	1
CLAMP,PAD (Ref # 43084)	43084-003	2
BOOT,PISTON SEAL (Ref # 49006)	49006-1212	2
COVER-SEAL (Ref # 49016)	49016-1145	1
BOLT,SOCKET,8X25 (Ref # 92002)	92002-1442	2
BEARING-NEEDLE,BM3516 (Ref # 92046)	92046-1206	1
SEAL-OIL (Ref # 92049)	92049-1339	2
SEAL-OIL,MHA 35 42 5.7F (Ref # 92049A)	92049-1380	2
COLLAR,L=32 (Ref # 92143)	92143-1483	1
SPRING,PAD (Ref # 92144)	92144-1401	2
BOLT,FLANGED,10X45 (Ref # 92150)	92150-1273	2
BOLT,DISC PLATE,8X30 (Ref # 92150A)	92150-1728	5