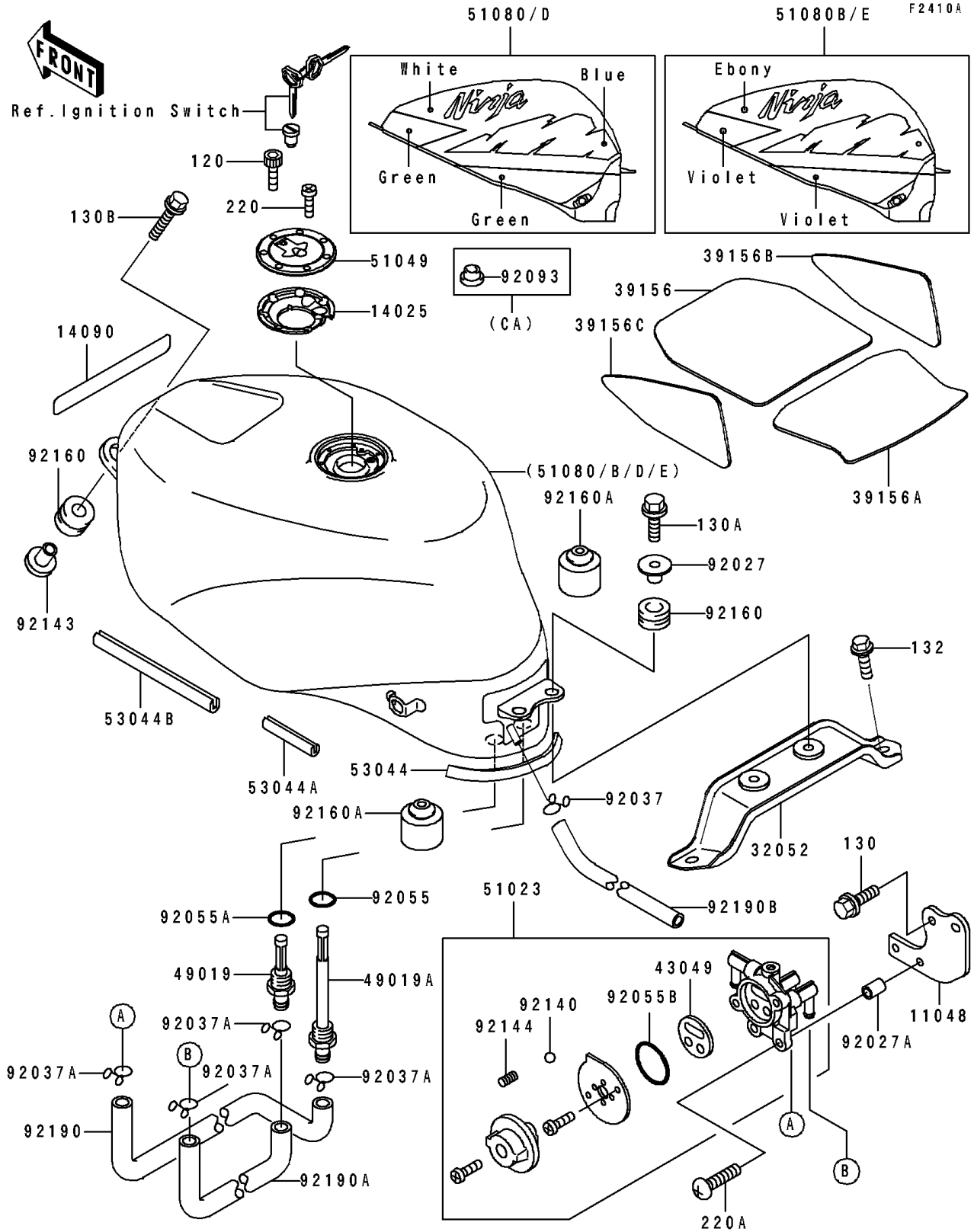


1994 Ninja® ZX™ -7 PARTS DIAGRAM

Fuel Tank(ZX750-L2)



1994 Ninja® ZX™-7 PARTS LIST

Fuel Tank(ZX750-L2)

ITEM NAME	PART NUMBER	QUANTITY
BRACKET,FUEL TAP (Ref # 11048)	11048-1150	1
COVER,TANK CAP (Ref # 14025)	14025-1913	1
COVER,FUEL TANK (Ref # 14090)	14090-1338	1
BRACKET-TANK,RR (Ref # 32052)	32052-1367	1
PAD,FUEL TANK,FR (Ref # 39156)	39156-1312	1
PAD,FUEL TANK,RR (Ref # 39156A)	39156-1313	1
PAD,FUEL TANK,SIDE,RH (Ref # 39156B)	39156-1314	1
PAD,FUEL TANK,SIDE,LH (Ref # 39156C)	39156-1315	1
PACKING,TAP VALVE (Ref # 43049)	43049-1066	1
FILTER-FUEL (Ref # 49019)	49019-1070	1
FILTER-FUEL,"ON" (Ref # 49019A)	49019-1074	1
TAP-ASSY,FUEL (Ref # 51023)	51023-1203	1
CAP-TANK,FUEL (Ref # 51049)	51049-1091	1
TANK-COMP-FUEL,GREEN/WHITE (Ref # 51080)	51080-5052-CK	1
TANK-COMP-FUEL,EBONY/VIOLET (Ref # 51080B)	51080-5054-74	1
TANK-COMP-FUEL,GREEN/WHITE (Ref # 51080D)	51080-5064-CK	1
TANK-COMP-FUEL,EBONY/VIOLET (Ref # 51080E)	51080-5065-74	1
TRIM,COWLING COVER (Ref # 53044)	53044-1106	1
TRIM,L=50 (Ref # 53044A)	53044-1277	2
TRIM,L=100 (Ref # 53044B)	53044-3728	2
COLLAR,L=14.1 (Ref # 92027)	92027-1920	2
COLLAR,6.8X10X14 (Ref # 92027A)	92027-1966	2
CLAMP,TUBE (Ref # 92037)	92037-147	1
CLAMP,TUBE (Ref # 92037A)	92037-1972	4
RING-O,ID=9.5 (Ref # 92055)	92055-1386	1
RING-O,11.5X1.5 (Ref # 92055A)	92055-1387	1
RING-O,TAP LEVER (Ref # 92055B)	92055-1419	1
SEAL,FUEL TANK CAP (Ref # 92093)	92093-1030	1
BALL,STAINLESS,5/32" (Ref # 92140)	92140-1051	1

1994 Ninja® ZX™-7 PARTS LIST

Fuel Tank(ZX750-L2)

ITEM NAME	PART NUMBER	QUANTITY
COLLAR (Ref # 92143)	92143-1515	2
SPRING,FUEL TAP KNOB (Ref # 92144)	92144-1212	1
DAMPER (Ref # 92160)	92160-1162	4
DAMPER (Ref # 92160A)	92160-1513	2
TUBE,FUEL,"ON" (Ref # 92190)	92190-1349	1
TUBE,FUEL,"RES" (Ref # 92190A)	92190-1350	1
TUBE,DRAIN (Ref # 92190B)	92190-1418	1
BOLT-SOCKET (Ref # 120)	120S0512	7
BOLT-FLANGED,6X10 (Ref # 130)	130H0610	2
BOLT-FLANGED,6X30,BLACK (Ref # 130A)	130J0630	2
BOLT-FLANGED,6X45,BLACK (Ref # 130B)	130J0645	2
BOLT-FLANGED-SMALL (Ref # 132)	132J0820	2
SCREW-PAN-CROS (Ref # 220)	220C0508	1
SCREW-PAN-CROS,6X25,BLACK (Ref # 220A)	220C0625	2