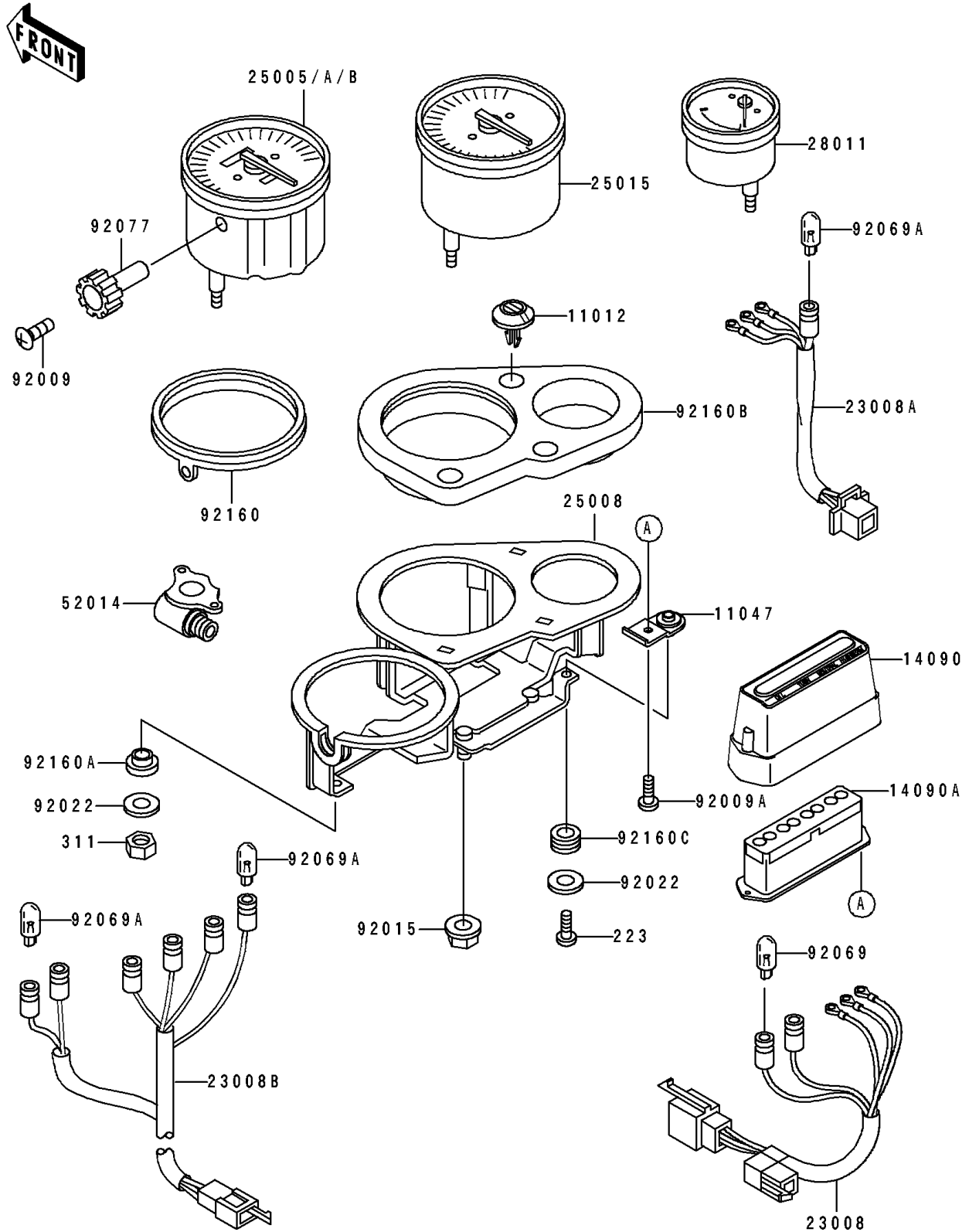


1995 Ninja® ZX™ -7 PARTS DIAGRAM

Meter(s)

F2530



1995 Ninja® ZX™ -7 PARTS LIST

Meter(s)

ITEM NAME	PART NUMBER	QUANTITY
CAP (Ref # 11012)	11012-1779	3
BRACKET,PILOT BOX (Ref # 11047)	11047-1557	2
COVER,PILOT BOX,UPP (Ref # 14090)	14090-1072	1
COVER,PILOT BOX,LWR (Ref # 14090A)	14090-1073	1
SOCKET-ASSY,TACHOMETER (Ref # 23008)	23008-1386	1
SOCKET-ASSY,TEMP METER (Ref # 23008A)	23008-1388	1
SOCKET-ASSY,SPEEDOMETER (Ref # 23008B)	23008-1465	1
SPEEDOMETER,KPH (Ref # 25005)	25005-1522	1
SPEEDOMETER,MPH (Ref # 25005B)	25005-1545	1
BRACKET-METER (Ref # 25008)	25008-1175	1
TACHOMETER,X1000R/MIN (Ref # 25015)	25015-1316	1
METER,TEMP (Ref # 28011)	28011-1129	1
ELBOW (Ref # 52014)	52014-1081	1
SCREW,2X6,BLACK (Ref # 92009)	92009-1172	1
SCREW,TAPPING,3X16 (Ref # 92009A)	92009-1391	2
NUT,FLANGED,6MM (Ref # 92015)	92015-1233	2
WASHER,4.3X12.5X1 (Ref # 92022)	92022-1949	8
BULB,12V3W T-7 (Ref # 92069)	92069-1020	2
BULB,12V 3W (Ref # 92069A)	92069-1068	7
KNOB,METER (Ref # 92077)	92077-1073	1
DAMPER,SPEEDOMETER (Ref # 92160)	92160-1064	1
DAMPER (Ref # 92160A)	92160-1068	6
DAMPER,TACHO&TEMP METER (Ref # 92160B)	92160-1274	1
DAMPER,PILOT BOX (Ref # 92160C)	92160-1320	2
SCREW-PAN-WS-CROS,4X6 (Ref # 223)	223C0406	2
NUT-HEX (Ref # 311)	311C0400	6