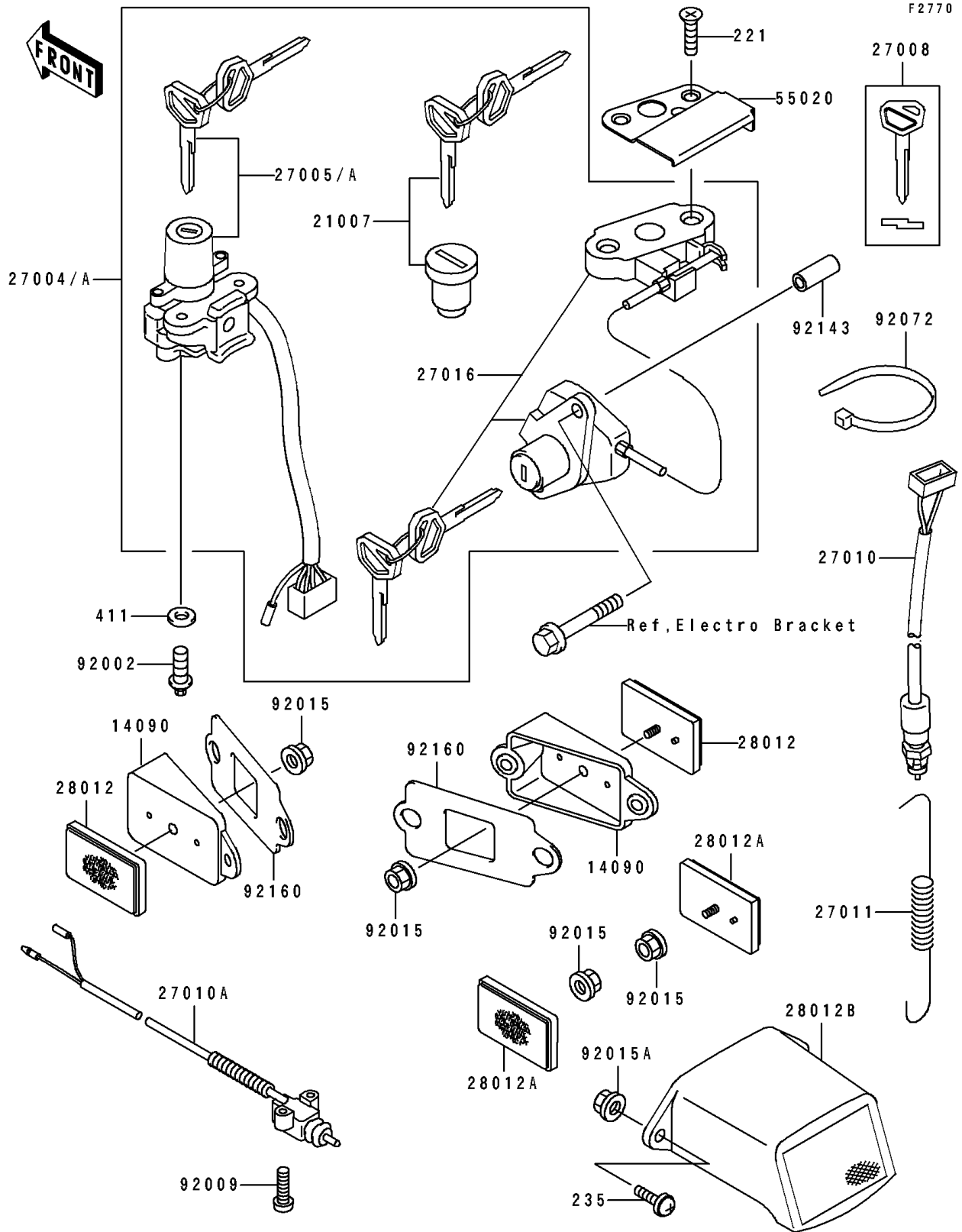


# 1994 Ninja® ZX™ -7 PARTS DIAGRAM

Ignition Switch/Locks/Reflectors



# 1994 Ninja® ZX™-7 PARTS LIST

## Ignition Switch/Locks/Reflectors

ITEM NAME	PART NUMBER	QUANTITY
COVER,REFLECTOR (Ref # 14090)	14090-1264	2
ROTOR,LOCK,TANK CAP (Ref # 21007)	21007-5035	1
SWITCH-ASSY (Ref # 27004A)	27004-5476	1
SWITCH-ASSY-IGNITION (Ref # 27005A)	27005-1179	1
KEY-LOCK,BLANK (Ref # 27008)	27008-1170	1
SWITCH,BRAKE LAMP (Ref # 27010)	27010-1093	1
SWITCH,SIDE STAND (Ref # 27010A)	27010-1223	1
SPRING,BRAKE LAMP SWITCH (Ref # 27011)	27011-011	1
LOCK-ASSY,SEAT (Ref # 27016)	27016-5196	1
REFLECTOR-REFLEX (Ref # 28012)	28012-1003	2
REFLECTOR-REFLEX,RR (Ref # 28012A)	28012-1054	2
REFLECTOR-REFLEX,RR (Ref # 28012B)	28012-1066	1
GUARD,SEAT LOCK (Ref # 55020)	55020-1483	1
BOLT,TORX,6X16 (Ref # 92002)	92002-1333	2
SCREW,5X20 (Ref # 92009)	92009-1459	2
NUT,FLANGED,5MM (Ref # 92015)	92015-1259	4
NUT,FLANGED,6MM (Ref # 92015A)	92015-1367	2
BAND,L=185 (Ref # 92072)	92072-1195	1
COLLAR,6.8X10X42 (Ref # 92143)	92143-1072	2
DAMPER,REFLECTOR (Ref # 92160)	92160-1395	2
SCREW-CSK-CROS,6X20 (Ref # 221)	221B0620	2
SCREW-PAN-WP-CROS (Ref # 235)	235C0620	2
WASHER-PLAIN,6MM (Ref # 411)	411E0600	2