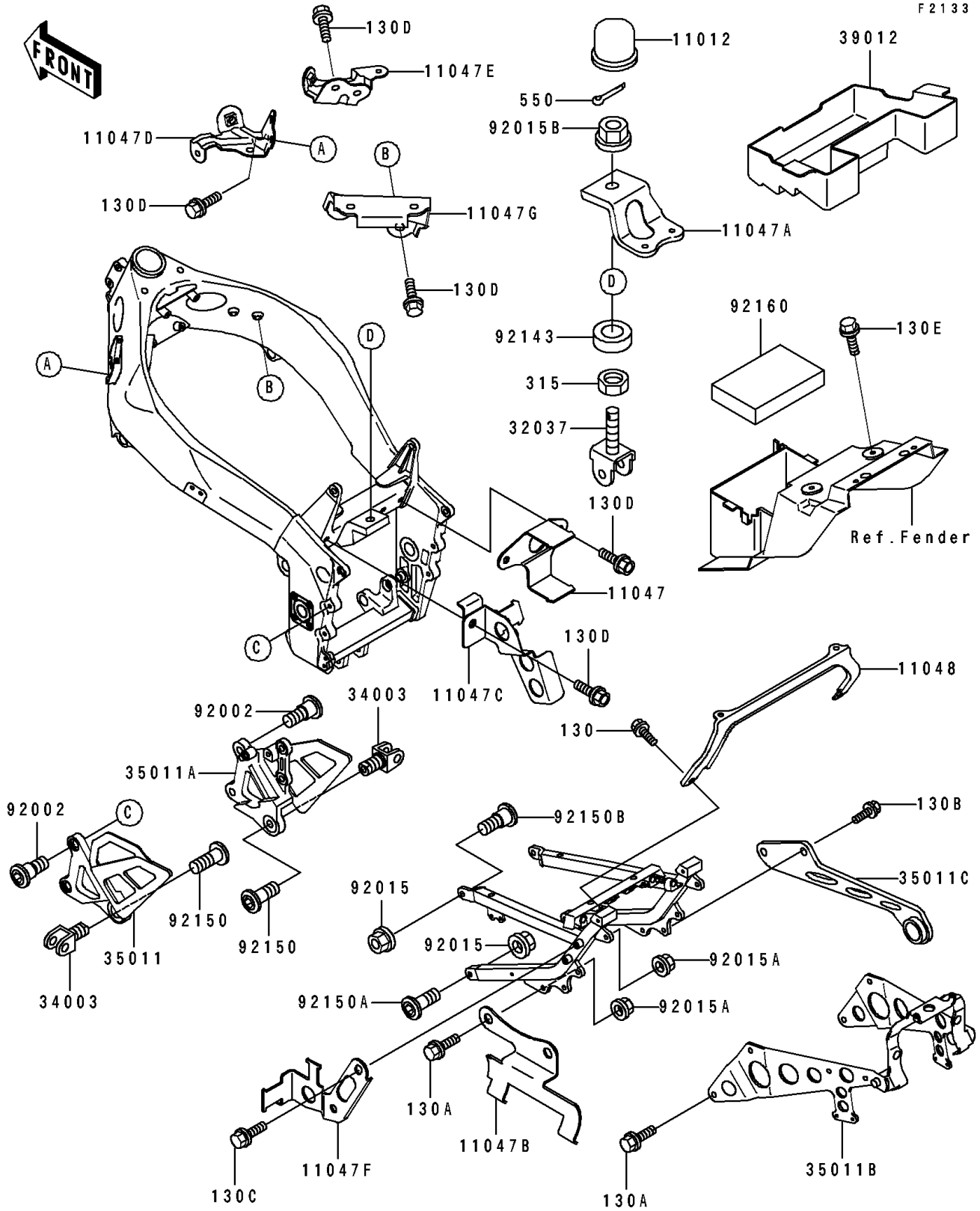


1993 Ninja® ZX™ -7R PARTS DIAGRAM

Electro Bracket

F2133



1993 Ninja® ZX™-7R PARTS LIST

Electro Bracket

ITEM NAME	PART NUMBER	QUANTITY
CAP (Ref # 11012)	11012-1844	1
BRACKET,FUEL PUMP (Ref # 11047)	11047-1265	1
BRACKET,BATTERY (Ref # 11047A)	11047-1267	1
BRACKET,RESERVOIR TANK (Ref # 11047B)	11047-1283	1
BRACKET,FUEL FILTER (Ref # 11047C)	11047-1852	1
BRACKET,RADIATOR,LH (Ref # 11047D)	11047-1853	1
BRACKET,RADIATOR,RH (Ref # 11047E)	11047-1854	1
BRACKET,RELAY&SEAT LOCK (Ref # 11047F)	11047-1855	1
BRACKET (Ref # 11047G)	11047-1967	1
BRACKET,SIDE COVER (Ref # 11048)	11048-1258	1
BRACKET-SHOCKABSORBER (Ref # 32037)	32037-1564	1
HOLDER-STEP (Ref # 34003)	34003-1327	2
STAY,FR,LH (Ref # 35011)	35011-1552	1
STAY,FR,RH (Ref # 35011A)	35011-1553	1
STAY,RR FENDER,SILVER NO.30 (Ref # 35011B)	35011-1634-KF	1
STAY,MUFFLER (Ref # 35011C)	35011-1655	1
CASE-STORAGE (Ref # 39012)	39012-1056	1
BOLT,SOCKET,8X20 (Ref # 92002)	92002-1493	4
NUT,FLANGED,10MM (Ref # 92015)	92015-1387	4
NUT,FLANGED,8MM (Ref # 92015A)	92015-1406	8
NUT,FLANGED,16MM (Ref # 92015B)	92015-1881	1
COLLAR,17.2X30X10 (Ref # 92143)	92143-1535	1
BOLT,SOCKET,10X25 (Ref # 92150)	92150-1268	2
BOLT,10X35 (Ref # 92150A)	92150-1295	2
BOLT,SOCKET,10X30 (Ref # 92150B)	92150-1517	2
DAMPER,BATTERY (Ref # 92160)	92160-1284	1
BOLT-FLANGED,6X12 (Ref # 130)	130H0612	2
BOLT-FLANGED,8X20 (Ref # 130A)	130H0820	6
BOLT-FLANGED,8X25 (Ref # 130B)	130H0825	2

1993 Ninja® ZX™ -7R PARTS LIST

Electro Bracket

ITEM NAME	PART NUMBER	QUANTITY
BOLT-FLANGED (Ref # 130C)	130J0612	2
BOLT-FLANGED,6X16,BLACK (Ref # 130D)	130J0616	9
BOLT-FLANGED (Ref # 130E)	130J0620	2
NUT-HEX-FINE,16MM (Ref # 315)	315B1600	1
PIN-COTTER,4.0X25 (Ref # 550)	550D4025	1