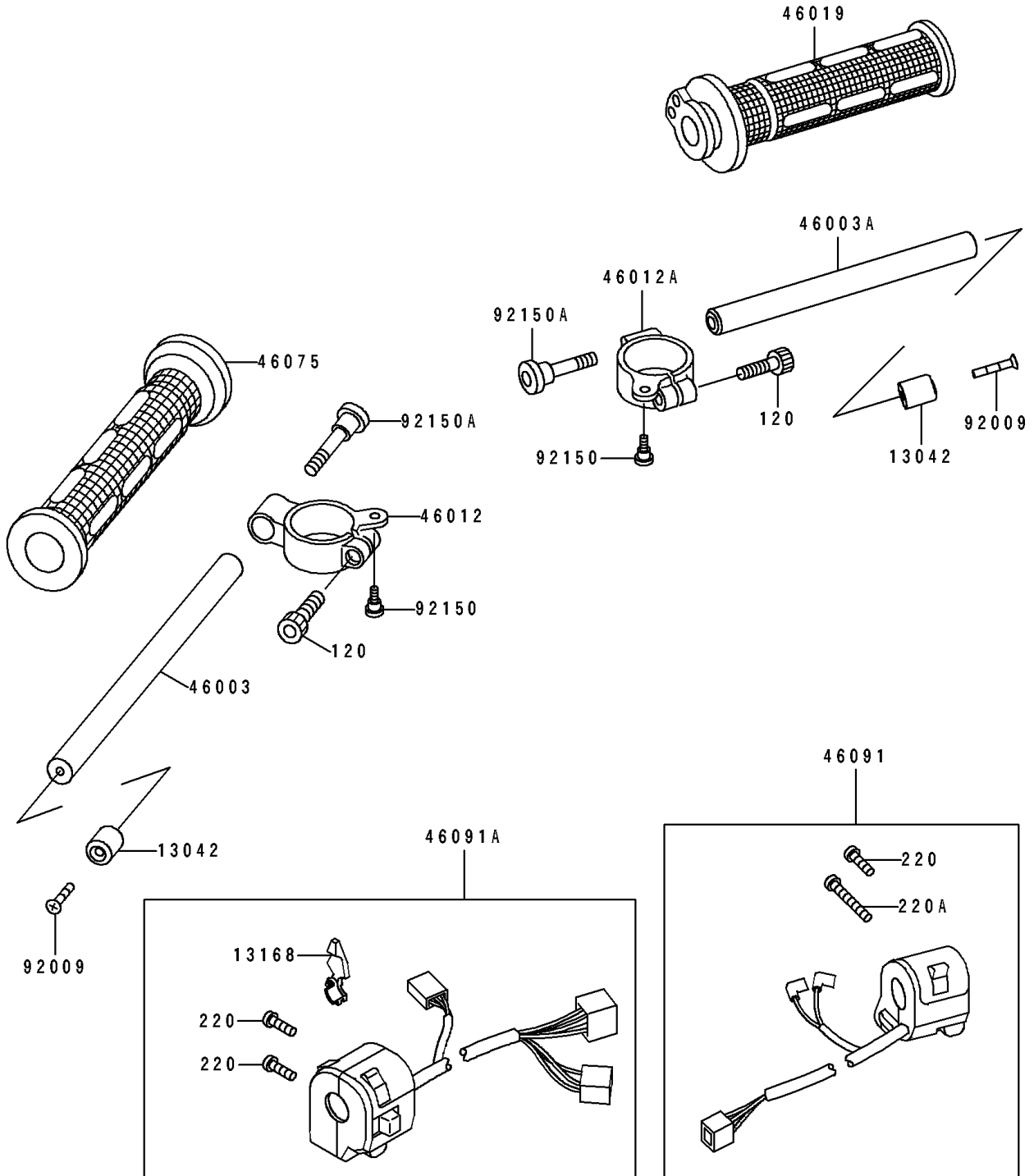


1993 Ninja® ZX™-7R PARTS DIAGRAM

Handlebar

F2310



1993 Ninja® ZX™ -7R PARTS LIST

Handlebar

| ITEM NAME | PART NUMBER | QUANTITY |
|----------------------------------------|-------------|----------|
| WEIGHT,HANDLE (Ref # 13042) | 13042-1069 | 2 |
| LEVER,CHOKE (Ref # 13168) | 13168-1516 | 1 |
| HANDLE,LH (Ref # 46003) | 46003-1377 | 1 |
| HANDLE,RH (Ref # 46003A) | 46003-1378 | 1 |
| HOLDER-HANDLE,LH (Ref # 46012) | 46012-1236 | 1 |
| HOLDER-HANDLE,RH (Ref # 46012A) | 46012-1237 | 1 |
| GRIP-ASSY,THROTTLE (Ref # 46019) | 46019-1077 | 1 |
| GRIP,LH (Ref # 46075) | 46075-1088 | 1 |
| HOUSING-ASSY-CONTROL,RH (Ref # 46091) | 46091-1591 | 1 |
| HOUSING-ASSY-CONTROL,LH (Ref # 46091A) | 46091-1592 | 1 |
| SCREW,8X45 (Ref # 92009) | 92009-1257 | 2 |
| BOLT,6MM (Ref # 92150) | 92150-1090 | 2 |
| BOLT,SOCKET,10X37 (Ref # 92150A) | 92150-1469 | 2 |
| BOLT-SOCKET,8X30 (Ref # 120) | 120P0830 | 2 |
| SCREW-PAN-CROS (Ref # 220) | 220C0525 | 3 |
| SCREW-PAN-CROS (Ref # 220A) | 220C0540 | 1 |