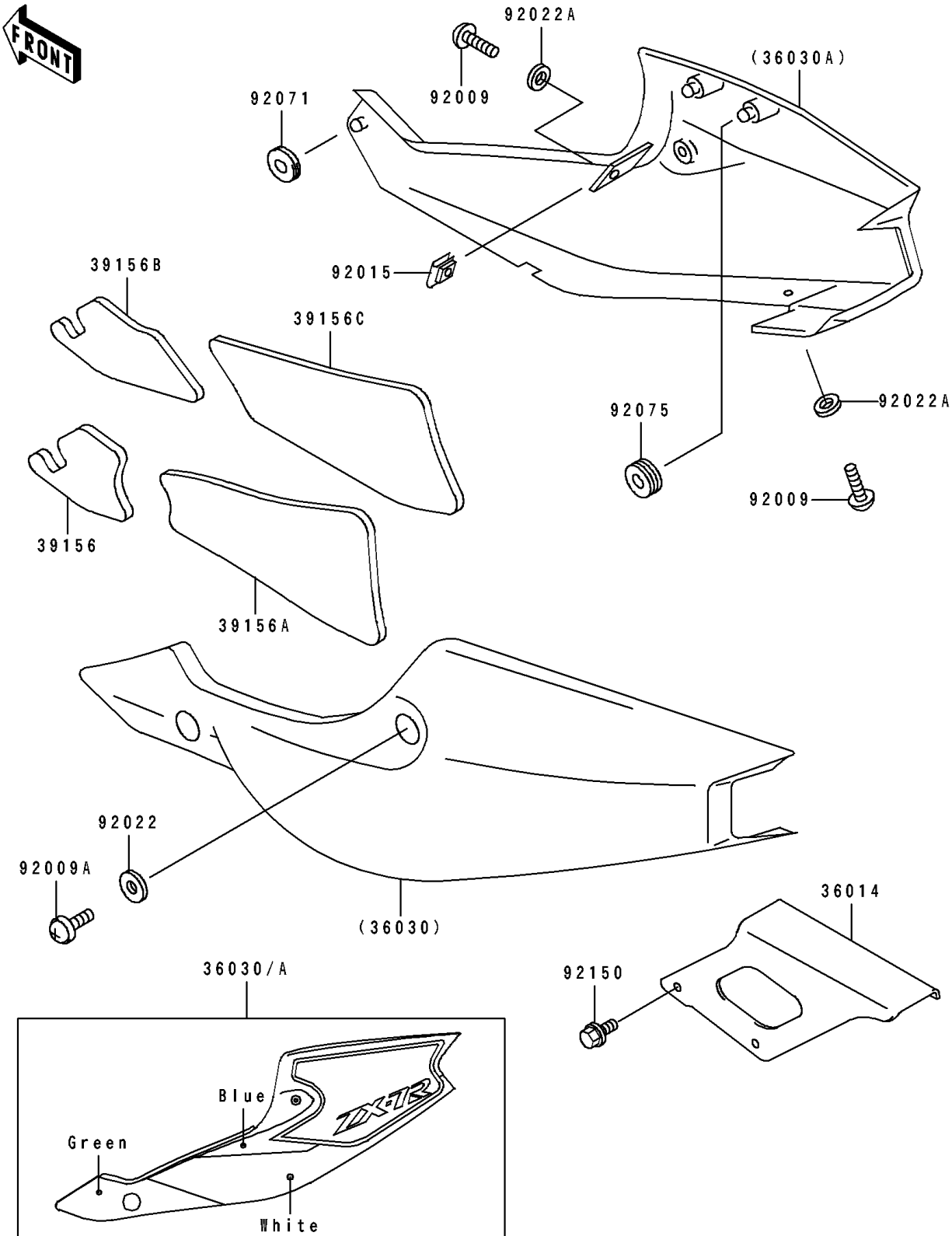


1993 Ninja® ZX™-7R PARTS DIAGRAM

Side Covers/Chain Cover

F2610



1993 Ninja® ZX™-7R PARTS LIST

Side Covers/Chain Cover

ITEM NAME	PART NUMBER	QUANTITY
CASE-CHAIN (Ref # 36014)	36014-1176	1
COVER-SIDE,LH,GREEN/WHITE/BLUE (Ref # 36030)	36030-5159-KE	1
COVER-SIDE,RH,GREEN/WHITE/BLUE (Ref # 36030A)	36030-5160-KE	1
PAD,SIDE COVER,LH,FR (Ref # 39156)	39156-1339	1
PAD,SIDE COVER,LH,RR (Ref # 39156A)	39156-1340	1
PAD,SIDE COVER,RH,FR (Ref # 39156B)	39156-1341	1
PAD,SIDE COVER,RH,RR (Ref # 39156C)	39156-1342	1
SCREW,5X16 (Ref # 92009)	92009-1654	4
SCREW,6X14 (Ref # 92009A)	92009-1662	2
NUT,5MM (Ref # 92015)	92015-1798	2
WASHER,6.5X16X1 (Ref # 92022)	92022-1143	2
WASHER,NYLON,5.3X11.5X1.5 (Ref # 92022A)	92022-1521	4
GROMMET (Ref # 92071)	92071-1043	2
DAMPER (Ref # 92075)	92075-1629	4
BOLT,FLANGED,6X12 (Ref # 92150)	92150-1235	2