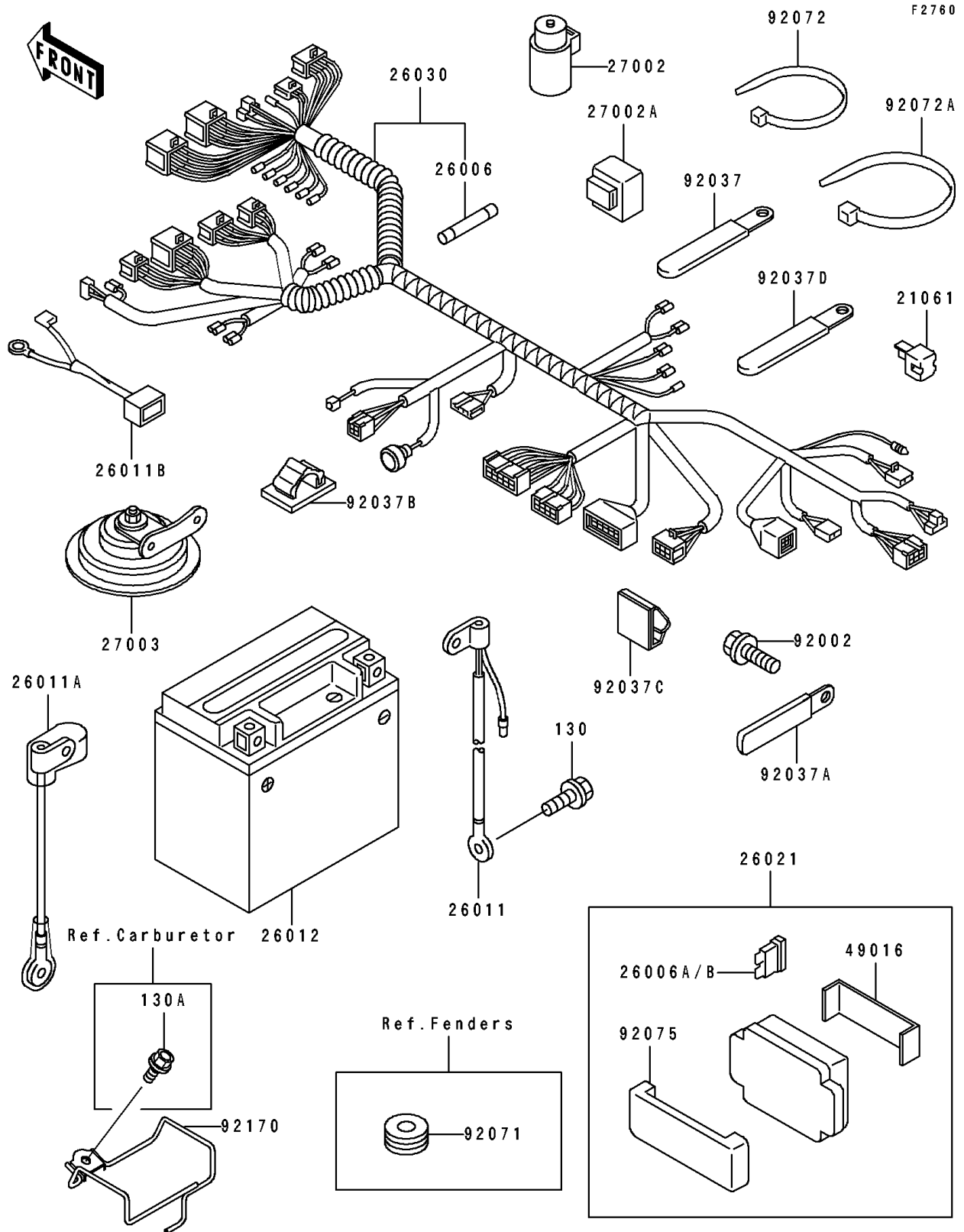


1993 Ninja[®] ZX™-7R PARTS DIAGRAM

Chassis Electrical Equipment



1993 Ninja® ZX™-7R PARTS LIST

Chassis Electrical Equipment

| ITEM NAME | PART NUMBER | QUANTITY |
|--|-------------|----------|
| RECTIFIER (Ref # 21061) | 21061-1003 | 1 |
| FUSE,20A,L=30 (Ref # 26006) | 26006-1056 | 2 |
| FUSE,30A-G (Ref # 26006A) | 26006-1067 | 1 |
| FUSE,10A-R (Ref # 26006B) | 26006-1068 | 5 |
| WIRE-LEAD,BATTERY(-) (Ref # 26011) | 26011-1429 | 1 |
| WIRE-LEAD,BATTERY(+) (Ref # 26011A) | 26011-1475 | 1 |
| WIRE-LEAD,THERMO SENSOR (Ref # 26011B) | 26011-1507 | 1 |
| BATTERY,YTX9-BS,12V 8AH (Ref # 26012) | 26012-1284 | 1 |
| JUNCTION BOX (Ref # 26021) | 26021-1077 | 1 |
| HARNESS,MAIN (Ref # 26030) | 26030-1164 | 1 |
| RELAY-ASSY (Ref # 27002) | 27002-1051 | 2 |
| RELAY-ASSY,TURN SIGNAL (Ref # 27002A) | 27002-1059 | 1 |
| HORN (Ref # 27003) | 27003-1316 | 1 |
| COVER-SEAL,FUSE (Ref # 49016) | 49016-1125 | 1 |
| BOLT,TAPPING,5X16 (Ref # 92002) | 92002-1472 | 2 |
| CLAMP,WIRING HARNESS (Ref # 92037) | 92037-1539 | 1 |
| CLAMP (Ref # 92037A) | 92037-1679 | 2 |
| CLAMP,HARNESS (Ref # 92037B) | 92037-1816 | 1 |
| CLAMP,WIRING HARNESS (Ref # 92037C) | 92037-1954 | 2 |
| CLAMP (Ref # 92037D) | 92037-1993 | 5 |
| GROMMET,SENSOR LEAD (Ref # 92071) | 92071-1058 | 1 |
| BAND,L=185 (Ref # 92072) | 92072-1195 | 6 |
| BAND,L=365 (Ref # 92072A) | 92072-1197 | 4 |
| DAMPER,JUNCTION BOX (Ref # 92075) | 92075-1688 | 1 |
| CLAMP,HARNESS (Ref # 92170) | 92170-1375 | 1 |
| BOLT-FLANGED,6X10 (Ref # 130) | 130G0610 | 1 |
| BOLT-FLANGED (Ref # 130A) | 130J0612 | 1 |