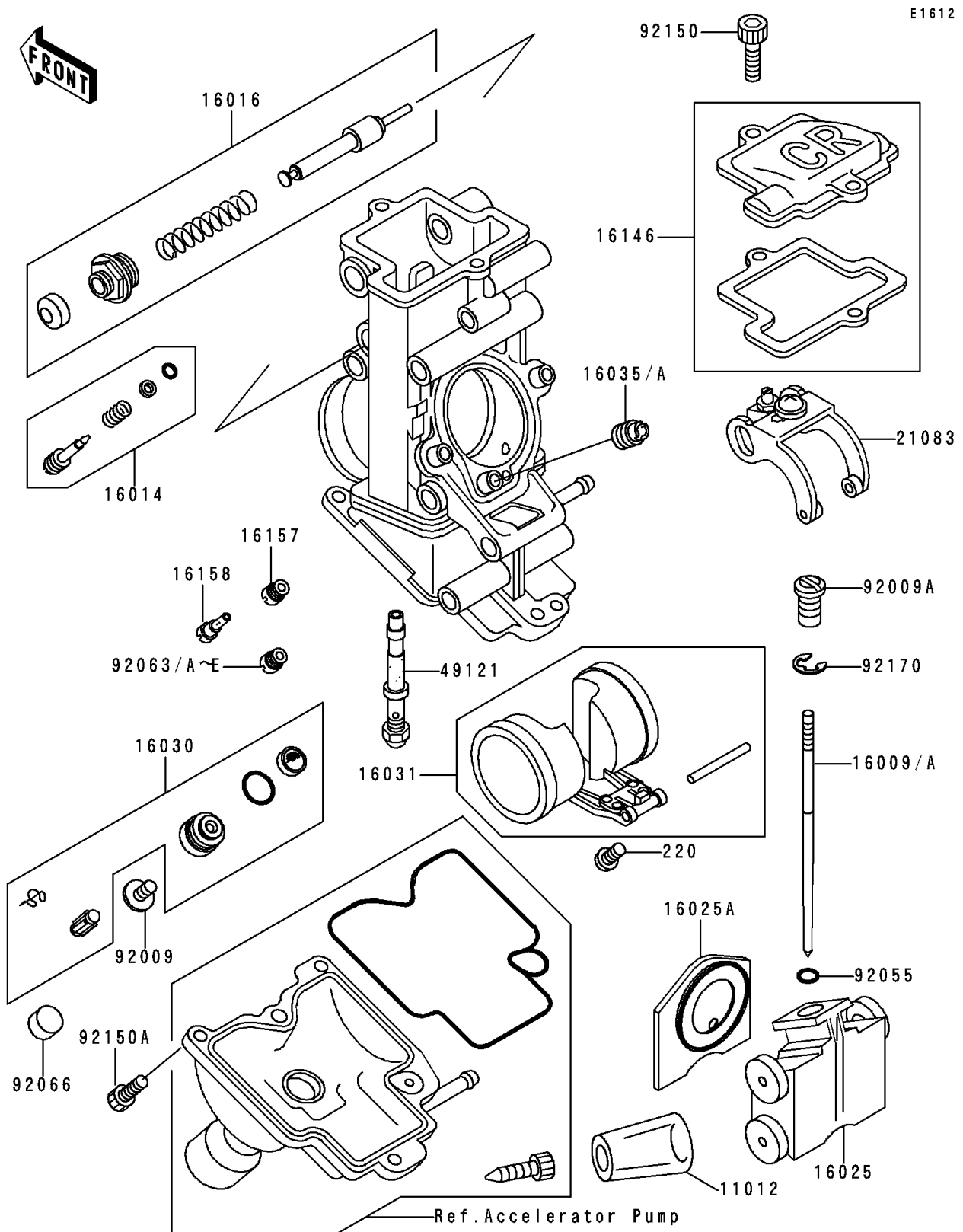


# 1997 Ninja® ZX™-7RR PARTS DIAGRAM

## Carburetor Parts



# 1997 Ninja® ZX™-7RR PARTS LIST

## Carburetor Parts

ITEM NAME	PART NUMBER	QUANTITY
SCREW-PAN-CROS (Ref # 220)	220D0408	4
CAP,DRAIN SCREW (Ref # 11012)	11012-1675	4
NEEDLE-JET,N3HC (Ref # 16009A)	16009-1890	4
SCREW-PILOT AIR (Ref # 16014)	16014-1075	4
PLUNGER (Ref # 16016)	16016-1093	4
VALVE-THROTTLE (Ref # 16025)	16025-1177	4
VALVE-THROTTLE (Ref # 16025A)	16025-1178	4
VALVE-FLOAT (Ref # 16030)	16030-1079	4
FLOAT (Ref # 16031)	16031-1081	4
JET-AIR,#140 (Ref # 16035)	16035-1064	4
JET-AIR,#60 (Ref # 16035A)	16035-1067	4
COVER-ASSY,CHAMBER TOP (Ref # 16146)	16146-1183	4
JET-STARTER,#55 (Ref # 16157)	16157-1061	4
JET-SLOW,#42 (Ref # 16158)	16158-1051	4
ARM,THROTTLE VALVE (Ref # 21083)	21083-1095	4
NOZZLE-MAIN (Ref # 49121)	49121-1060	4
SCREW,4X8 (Ref # 92009)	92009-1550	4
SCREW,NEEDLE (Ref # 92009A)	92009-1630	4
RING-O (Ref # 92055)	92055-1559	4
JET-MAIN,#210 (Ref # 92063)	92063-1416	2
JET-MAIN,#200 (Ref # 92063A)	92063-1417	2
JET-MAIN,#195 (Ref # 92063B)	92063-1418	4
JET-MAIN,#190 (Ref # 92063C)	92063-1419	4
JET-MAIN,#220 (Ref # 92063D)	92063-1420	4
JET-MAIN,#230 (Ref # 92063E)	92063-1421	4
PLUG,PILOT AIR SCREW,6.9X2 (Ref # 92066)	92066-1051	4
BOLT,SOCKET,4X12 (Ref # 92150)	92150-1426	8
BOLT,SOCKET,4X10 (Ref # 92150A)	92150-1427	12
CLAMP,JET NEEDLE (Ref # 92170)	92170-1204	4