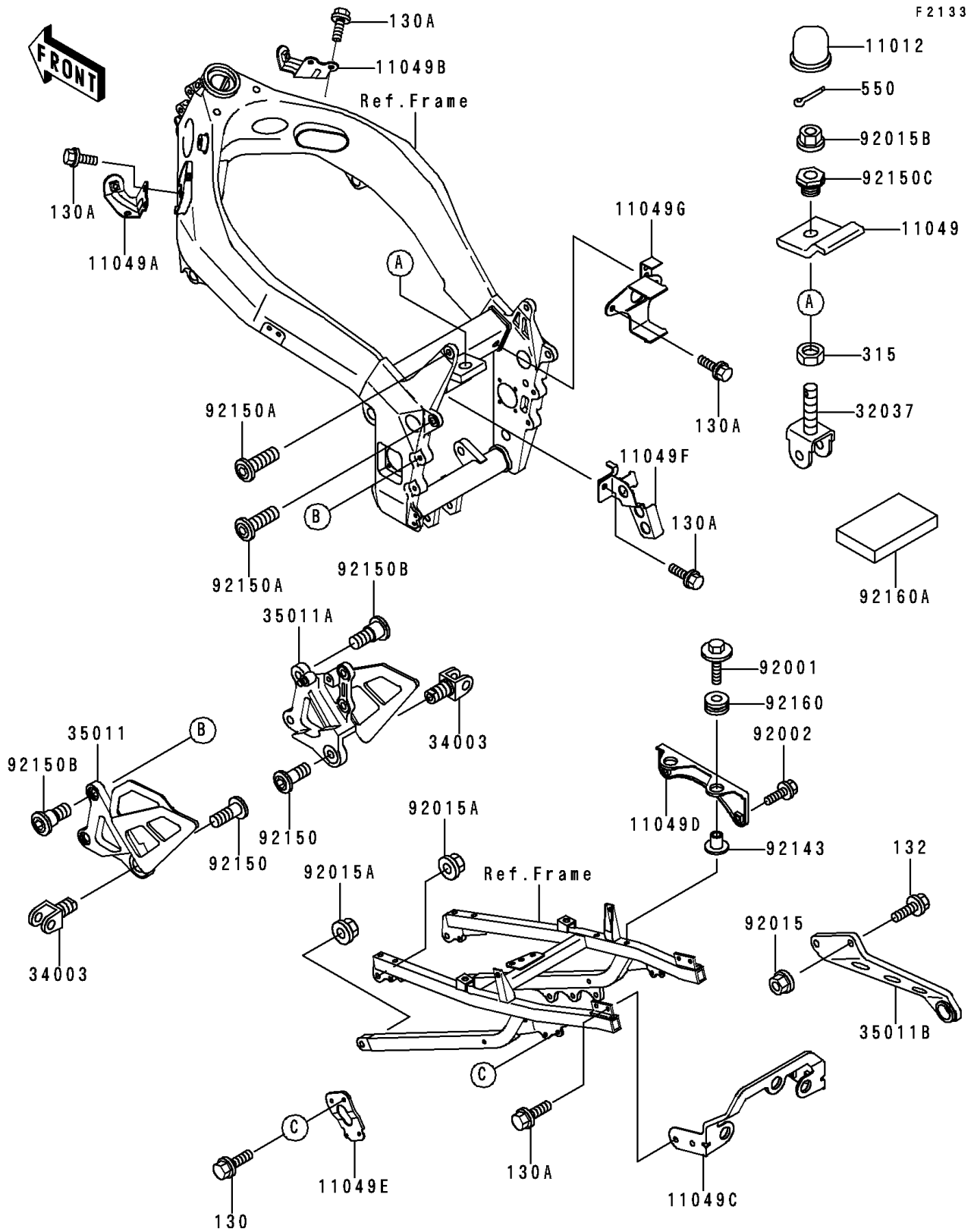


1997 Ninja[®] ZX[™]-7RR PARTS DIAGRAM

Electro Bracket



1997 Ninja® ZX™-7RR PARTS LIST

Electro Bracket

ITEM NAME	PART NUMBER	QUANTITY
BOLT-FLANGED (Ref # 130)	130J0612	2
BOLT-FLANGED,6X16,BLACK (Ref # 130A)	130J0616	11
BOLT-FLANGED-SMALL (Ref # 132)	132E0825	2
NUT-HEX-FINE,16MM (Ref # 315)	315B1600	1
PIN-COTTER,4.0X25 (Ref # 550)	550D4025	1
CAP (Ref # 11012)	11012-1844	1
BRACKET,BATTERY CASE,FR (Ref # 11049)	11049-1334	1
BRACKET,RADIATOR,LH (Ref # 11049A)	11049-1335	1
BRACKET,RADIATOR,RH (Ref # 11049B)	11049-1336	1
BRACKET,TAIL LAMP (Ref # 11049C)	11049-1396	1
BRACKET,IGNITER (Ref # 11049D)	11049-1397	1
BRACKET,HELMET LOCK (Ref # 11049E)	11049-1409	1
BRACKET,FUEL FILTER (Ref # 11049F)	11049-1701	1
BRACKET,FUEL PUMP (Ref # 11049G)	11049-1736	1
BRACKET-SHOCKABSORBER (Ref # 32037)	32037-1564	1
HOLDER-STEP (Ref # 34003)	34003-1327	2
STAY,FR,LH (Ref # 35011)	35011-1552	1
STAY,FR,RH (Ref # 35011A)	35011-1553	1
STAY,MUFFLER (Ref # 35011B)	35011-1779	1
BOLT,6X30 (Ref # 92001)	92001-1776	2
BOLT,6X14 (Ref # 92002)	92002-1656	2
NUT,FLANGED,8MM (Ref # 92015)	92015-1406	2
NUT,FLANGED,10MM (Ref # 92015A)	92015-1415	4
NUT,FLANGED,16MM (Ref # 92015B)	92015-1881	1
COLLAR (Ref # 92143)	92143-1353	2
BOLT,SOCKET,10X25 (Ref # 92150)	92150-1268	2
BOLT,10X35 (Ref # 92150A)	92150-1295	4
BOLT,SOCKET,8X20 (Ref # 92150B)	92150-1839	4
BOLT,22X17 (Ref # 92150C)	92150-1974	1

1997 Ninja® ZX™ -7RR PARTS LIST

Electro Bracket

ITEM NAME	PART NUMBER	QUANTITY
DAMPER (Ref # 92160)	92160-1162	2
DAMPER,BATTERY (Ref # 92160A)	92160-1284	1