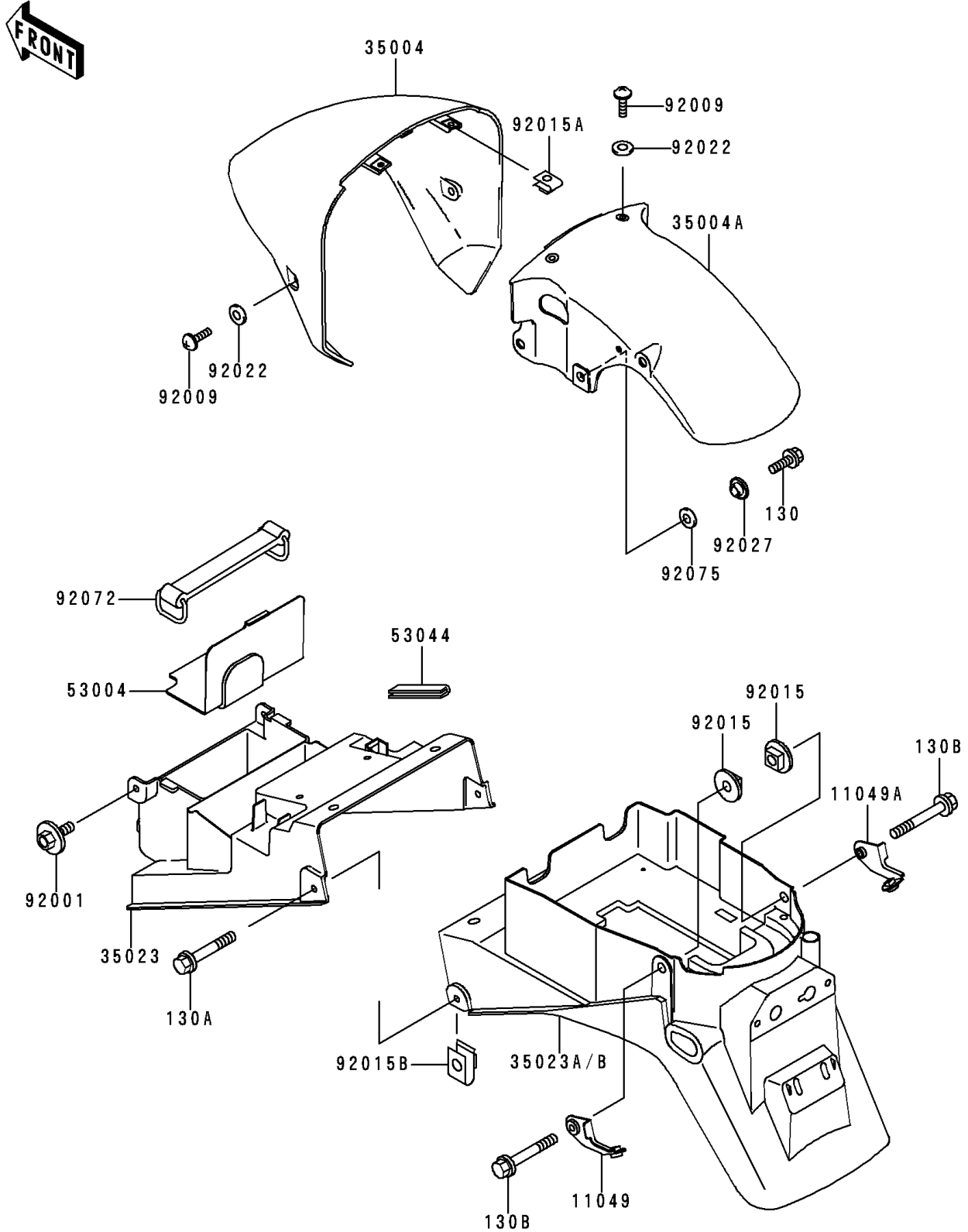


# 1996 Ninja® ZX™-7RR PARTS DIAGRAM

Fenders

F2170



# 1996 Ninja® ZX™-7RR PARTS LIST

## Fenders

ITEM NAME	PART NUMBER	QUANTITY
BOLT-FLANGED,6X16 (Ref # 130)	130H0616	4
BOLT-FLANGED,6X35 (Ref # 130A)	130J0635	2
BOLT-FLANGED,6X40,BLACK (Ref # 130B)	130J0640	2
BRACKET,SIDE COVER,LH (Ref # 11049)	11049-1364	1
BRACKET,SIDE COVER,RH (Ref # 11049A)	11049-1366	1
FENDER-FRONT,FR,L.GREEN (Ref # 35004)	35004-1333-7F	1
FENDER-FRONT,RR,L.GREEN (Ref # 35004A)	35004-1334-7F	1
FENDER-REAR,FR (Ref # 35023)	35023-1427	1
MAT,BATTERY (Ref # 53004)	53004-1109	1
TRIM,L=60 (Ref # 53044)	53044-1249	1
BOLT,6X16 (Ref # 92001)	92001-1950	2
SCREW,5X16 (Ref # 92009)	92009-1654	4
NUT,6MM (Ref # 92015)	92015-1321	2
NUT,5MM (Ref # 92015A)	92015-1573	2
NUT,6MM (Ref # 92015B)	92015-1602	2
WASHER,NYLON,5.3X11.5X1.5 (Ref # 92022)	92022-1521	4
COLLAR,COWLING STAY (Ref # 92027)	92027-1667	4
BAND,L=142.1 (Ref # 92072)	92072-006	1
DAMPER (Ref # 92075)	92075-1564	4
FENDER-REAR,RR (Ref # 35023A)	35023-1428	1
FENDER-REAR,RR (Ref # 35023B)	35023-1430	1