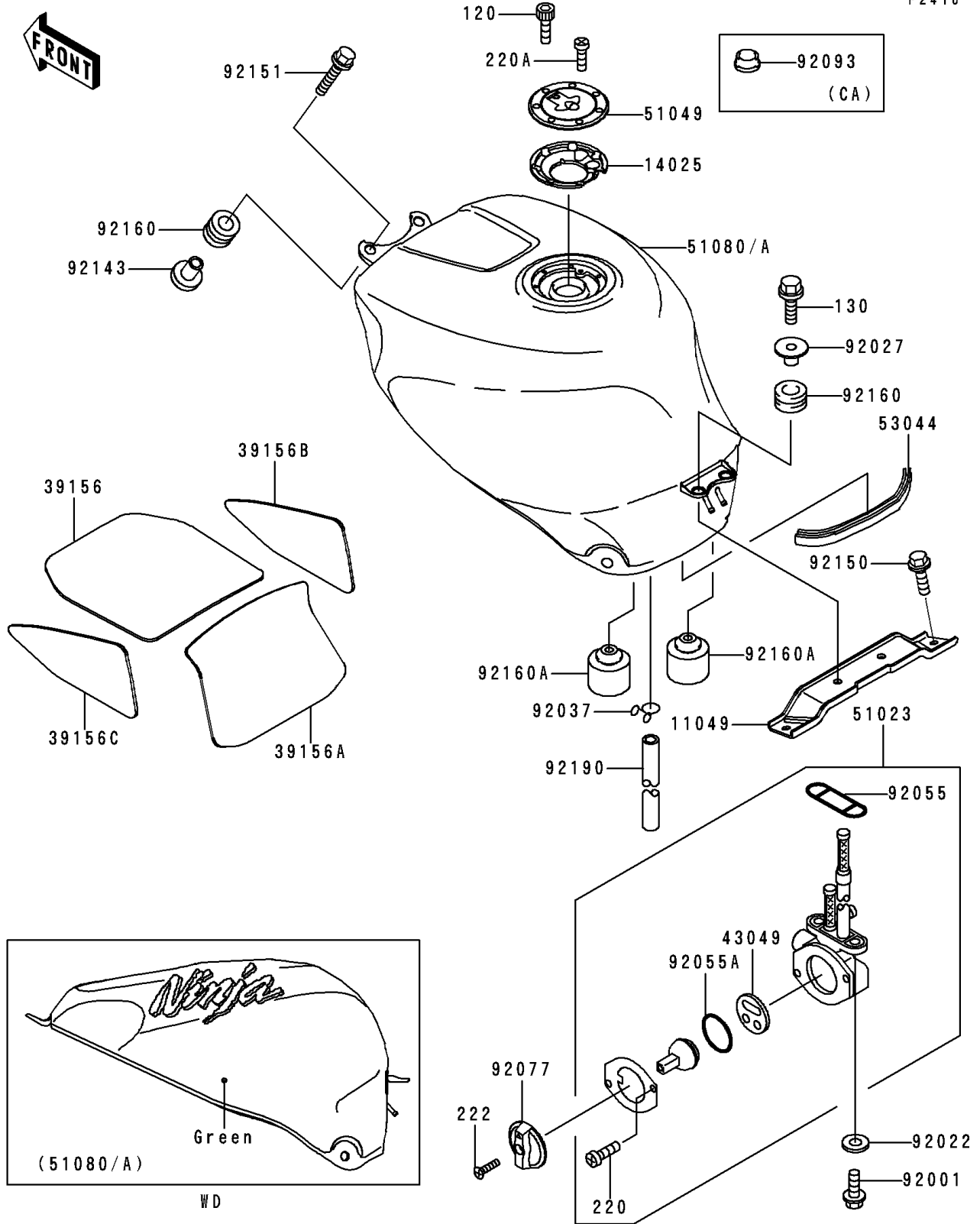


1997 Ninja® ZX™-7RR PARTS DIAGRAM

Fuel Tank

F2410



1997 Ninja® ZX™-7RR PARTS LIST

Fuel Tank

ITEM NAME	PART NUMBER	QUANTITY
BRACKET,FUEL TANK,RR (Ref # 11049)	11049-1866	1
COVER,TANK CAP (Ref # 14025)	14025-1913	1
PAD,FUEL TANK,FR (Ref # 39156)	39156-1312	1
PAD,FUEL TANK,RR (Ref # 39156A)	39156-1313	1
PAD,FUEL TANK,SIDE,RH (Ref # 39156B)	39156-1314	1
PAD,FUEL TANK,SIDE,LH (Ref # 39156C)	39156-1315	1
PACKING,TAP VALVE (Ref # 43049)	43049-1066	1
TAP-ASSY,FUEL (Ref # 51023)	51023-1221	1
CAP-TANK,FUEL (Ref # 51049)	51049-1091	1
TANK-COMP-FUEL,L.GREEN (Ref # 51080)	51080-5263-7F	1
TRIM (Ref # 53044)	53044-1296	1
BOLT,6X20 (Ref # 92001)	92001-1091	2
WASHER,6.2X11X1.5 (Ref # 92022)	92022-183	2
BOLT-SOCKET (Ref # 120)	120S0512	7
BOLT-FLANGED,6X25 (Ref # 130)	130J0625	2
SCREW-PAN-CROS (Ref # 220)	220B0308	2
SCREW-PAN-CROS (Ref # 220A)	220C0508	1
SCREW-CSK-RD-CROS (Ref # 222)	222C0412	1
COLLAR,L=14.1 (Ref # 92027)	92027-1920	2
CLAMP,TUBE (Ref # 92037)	92037-147	1
RING-O,FUEL TAP PACKING (Ref # 92055)	92055-1112	1
RING-O,TAP LEVER (Ref # 92055A)	92055-1419	1
KNOB,FUEL TAP (Ref # 92077)	92077-1120	1
COLLAR (Ref # 92143)	92143-1515	2
BOLT,FLANGED,6X20 (Ref # 92150)	92150-1633	2
BOLT,FLANGED,6X30 (Ref # 92151)	92151-1105	2
DAMPER (Ref # 92160)	92160-1162	4
DAMPER (Ref # 92160A)	92160-1513	2
TUBE,DRAIN (Ref # 92190)	92190-1418	1