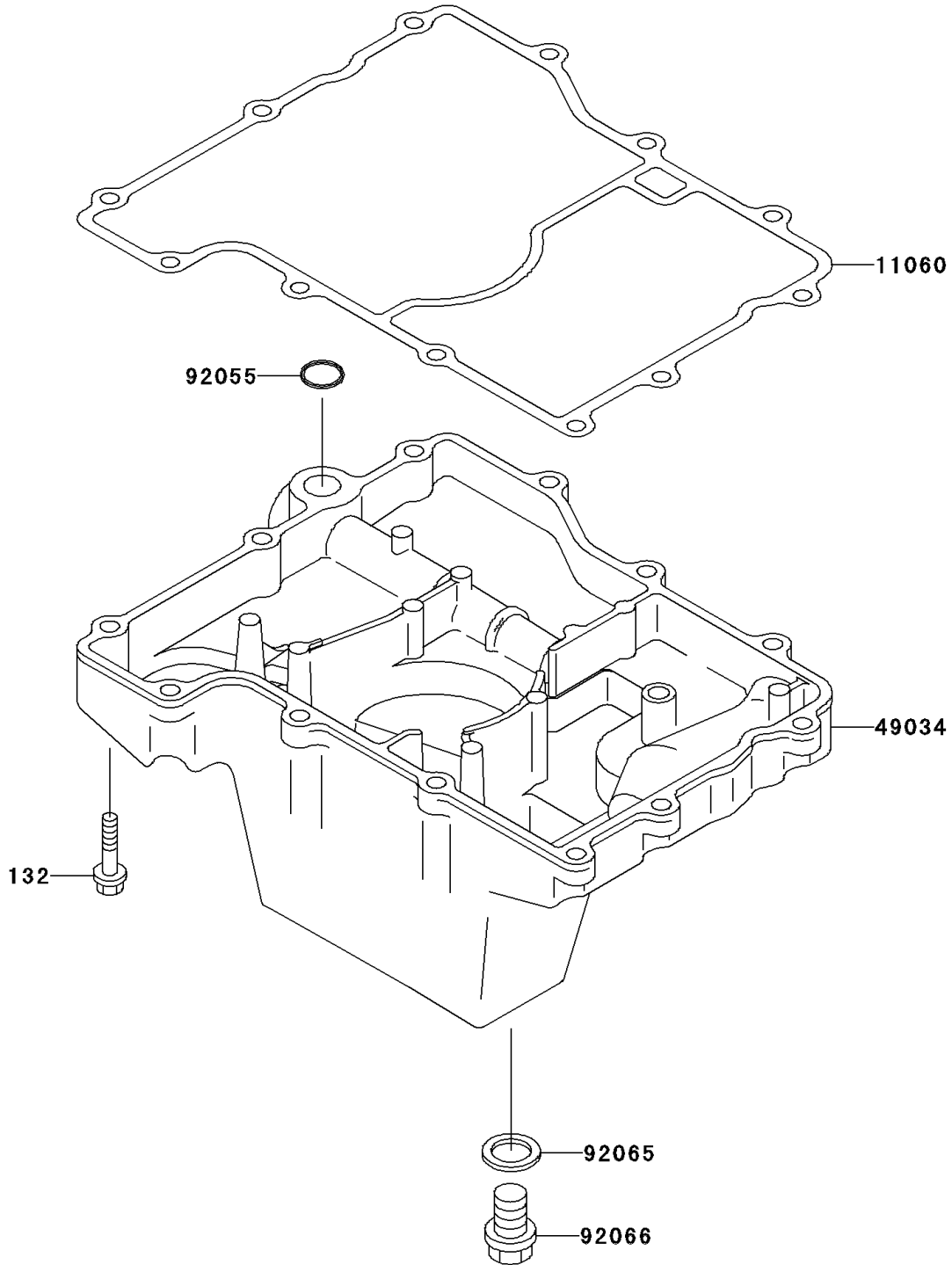


# 1999 Ninja<sup>®</sup> ZX<sup>™</sup>-7R PARTS DIAGRAM

Breather Cover/Oil Pan

E1432



# 1999 Ninja® ZX™-7R PARTS LIST

## Breather Cover/Oil Pan

ITEM NAME	PART NUMBER	QUANTITY
BOLT-FLANGED-SMALL (Ref # 132)	132Y0625	12
GASKET,OIL PAN (Ref # 11060)	11060-1355	1
PAN-OIL (Ref # 49034)	49034-1119	1
RING-O,19.5MM (Ref # 92055)	92055-077	1
GASKET,12X22X2,DRAIN PLUG (Ref # 92065)	92065-097	1
PLUG,OIL DRAIN,12X15 (Ref # 92066)	92066-1174	1