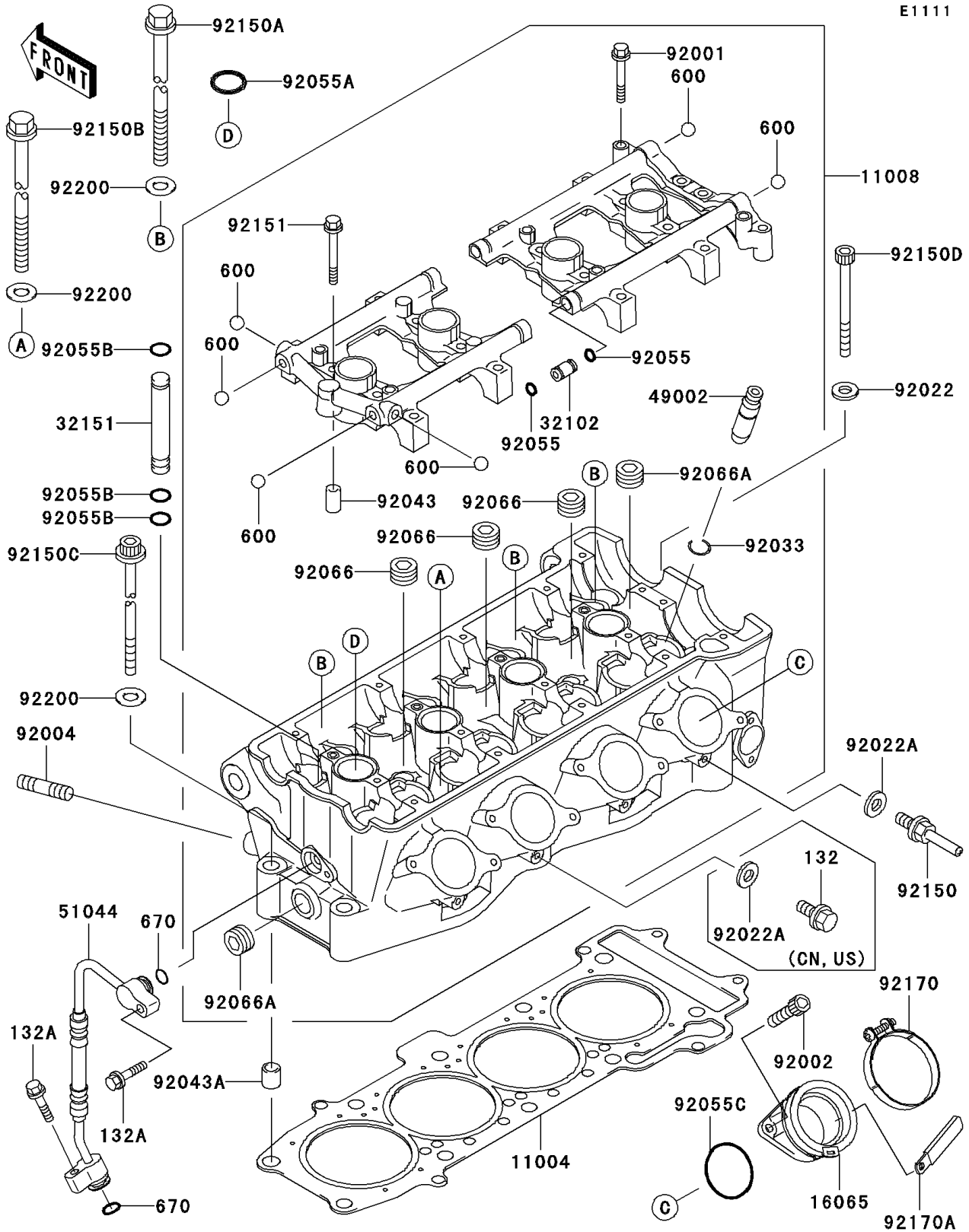


2000 Ninja® ZX™-7R PARTS DIAGRAM

Cylinder Head

E1111



2000 Ninja® ZX™-7R PARTS LIST

Cylinder Head

| ITEM NAME | PART NUMBER | QUANTITY |
|--------------------------------------|-------------|----------|
| BOLT-FLANGED-SMALL (Ref # 132A) | 132Y0625 | 2 |
| BALL-STEEL,1/4" (Ref # 600) | 600A0800 | 6 |
| O RING (Ref # 670) | 670D2010 | 2 |
| GASKET-HEAD,T=0.65,STD (Ref # 11004) | 11004-1307 | 1 |
| HEAD-COMP-CYLINDER (Ref # 11008) | 11008-1310 | 1 |
| HOLDER-CARBURETOR (Ref # 16065) | 16065-1317 | 4 |
| PIPE,JOINT (Ref # 32102) | 32102-1928 | 2 |
| PIPE (Ref # 32151) | 32151-1608 | 1 |
| GUIDE-VALVE (Ref # 49002) | 49002-1116 | AR |
| TUBE-ASSY,OIL (Ref # 51044) | 51044-1180 | 1 |
| BOLT,FLANGED,6X38 (Ref # 92001) | 92001-1105 | 16 |
| BOLT,6X16 (Ref # 92002) | 92002-1143 | 8 |
| STUD,8X18 (Ref # 92004) | 92004-1186 | 8 |
| WASHER,6.5X13X2.0 (Ref # 92022) | 92022-1523 | 2 |
| WASHER,6.2X11X1 (Ref # 92022A) | 92022-304 | 4 |
| RING-SNAP (Ref # 92033) | 92033-1247 | 16 |
| PIN,6.2X8X14 (Ref # 92043) | 92043-1263 | 4 |
| PIN,10.1X12X14 (Ref # 92043A) | 92043-4009 | 2 |
| RING-O,5.5X1.5 (Ref # 92055) | 92055-1339 | 4 |
| RING-O,25.5X2 (Ref # 92055A) | 92055-1403 | 4 |
| RING-O,9X1.5 (Ref # 92055B) | 92055-1509 | 3 |
| RING-O,1.9X40 (Ref # 92055C) | 92055-1546 | 4 |
| PLUG,PT1/2X12.5 (Ref # 92066) | 92066-1253 | 3 |
| PLUG,PT3/8X10 (Ref # 92066A) | 92066-1262 | 2 |
| BOLT,10X165 (Ref # 92150A) | 92150-1368 | 3 |
| BOLT,10X151 (Ref # 92150B) | 92150-1369 | 5 |
| BOLT,10X137 (Ref # 92150C) | 92150-1462 | 2 |
| BOLT,6X100 (Ref # 92150D) | 92150-1463 | 2 |
| BOLT,6X46 (Ref # 92151) | 92151-1079 | 4 |

2000 Ninja® ZX™-7R PARTS LIST

Cylinder Head

| ITEM NAME | PART NUMBER | QUANTITY |
|----------------------------------|-------------|----------|
| CLAMP (Ref # 92170) | 92170-1160 | 4 |
| CLAMP (Ref # 92170A) | 92170-1680 | 1 |
| WASHER,10.5X19X2.3 (Ref # 92200) | 92200-1042 | 10 |
| BOLT-FLANGED-SMALL (Ref # 132) | 132Y0610 | 1 |
| BOLT (Ref # 92150) | 92150-1161 | 3 |
| BOLT (Ref # 92150) | 92150-1161 | 4 |