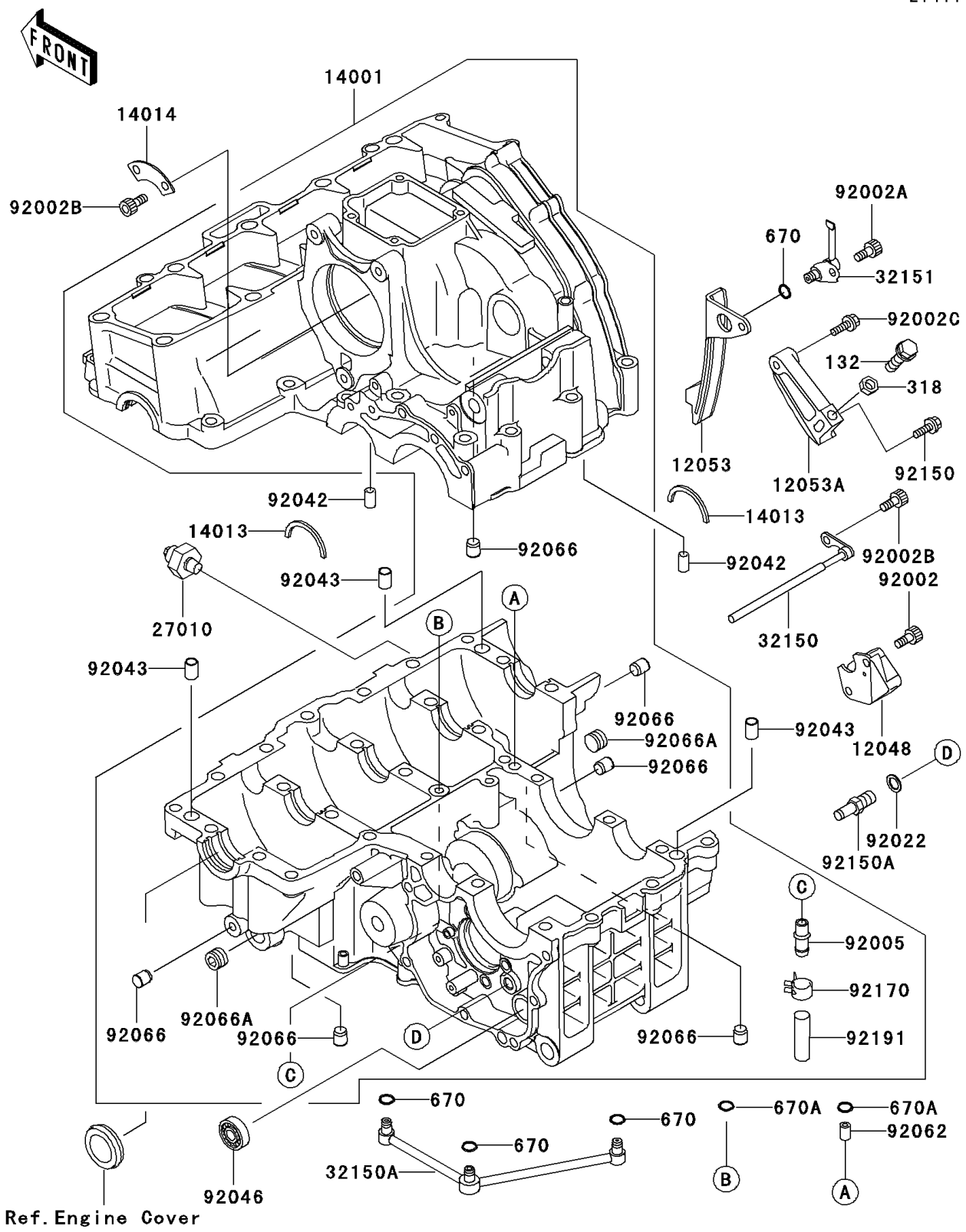


2000 Ninja® ZX™-7R PARTS DIAGRAM

Crankcase

E1411



2000 Ninja® ZX™-7R PARTS LIST

Crankcase

ITEM NAME	PART NUMBER	QUANTITY
BOLT-FLANGED-SMALL (Ref # 132)	132G0820	1
NUT-HEX-SMALL,8MM (Ref # 318)	318B0800	1
O RING (Ref # 670)	670D1505	4
O RING,8MM (Ref # 670A)	670D1508	2
TENSIONER-ASSY (Ref # 12048)	12048-1109	1
GUIDE-CHAIN (Ref # 12053)	12053-1281	1
GUIDE-CHAIN (Ref # 12053A)	12053-1285	1
SET-CRANKCASE (Ref # 14001)	14001-1208	1
RING-POSITION,T=1.98 (Ref # 14013)	14013-1004	2
PLATE-POSITION (Ref # 14014)	14014-1056	1
SWITCH,OIL PRESSURE (Ref # 27010)	27010-1313	1
PIPE (Ref # 32150)	32150-1795	1
PIPE (Ref # 32150A)	32150-1796	1
PIPE (Ref # 32151)	32151-1492	1
BOLT,SOCKET,6X25 (Ref # 92002)	92002-1696	2
BOLT,SOCKET,6X16 (Ref # 92002A)	92002-1778	1
BOLT,SOCKET,6X12 (Ref # 92002B)	92002-1796	3
BOLT,6X30 (Ref # 92002C)	92002-1797	1
FITTING,BREATHER PIPE (Ref # 92005)	92005-1161	1
WASHER,10X15X1.0 (Ref # 92022)	92022-1973	1
PIN,DOWEL,6X16 (Ref # 92042)	92042-016	2
PIN,DOWEL,10X14 (Ref # 92043)	92043-1037	3
BEARING-NEEDLE,HK1312 (Ref # 92046)	92046-1148	1
NOZZLE (Ref # 92062)	92062-1074	1
PLUG,OIL LINE,7.2X8 (Ref # 92066)	92066-1012	6
PLUG,PT3/8X10 (Ref # 92066A)	92066-1262	2
BOLT,6X25 (Ref # 92150)	92150-1799	1
BOLT,RETURN SPRING (Ref # 92150A)	92150-1803	1
CLAMP (Ref # 92170)	92170-1167	1

2000 Ninja® ZX™-7R PARTS LIST

Crankcase

ITEM NAME	PART NUMBER	QUANTITY
TUBE (Ref # 92191)	92191-1016	1