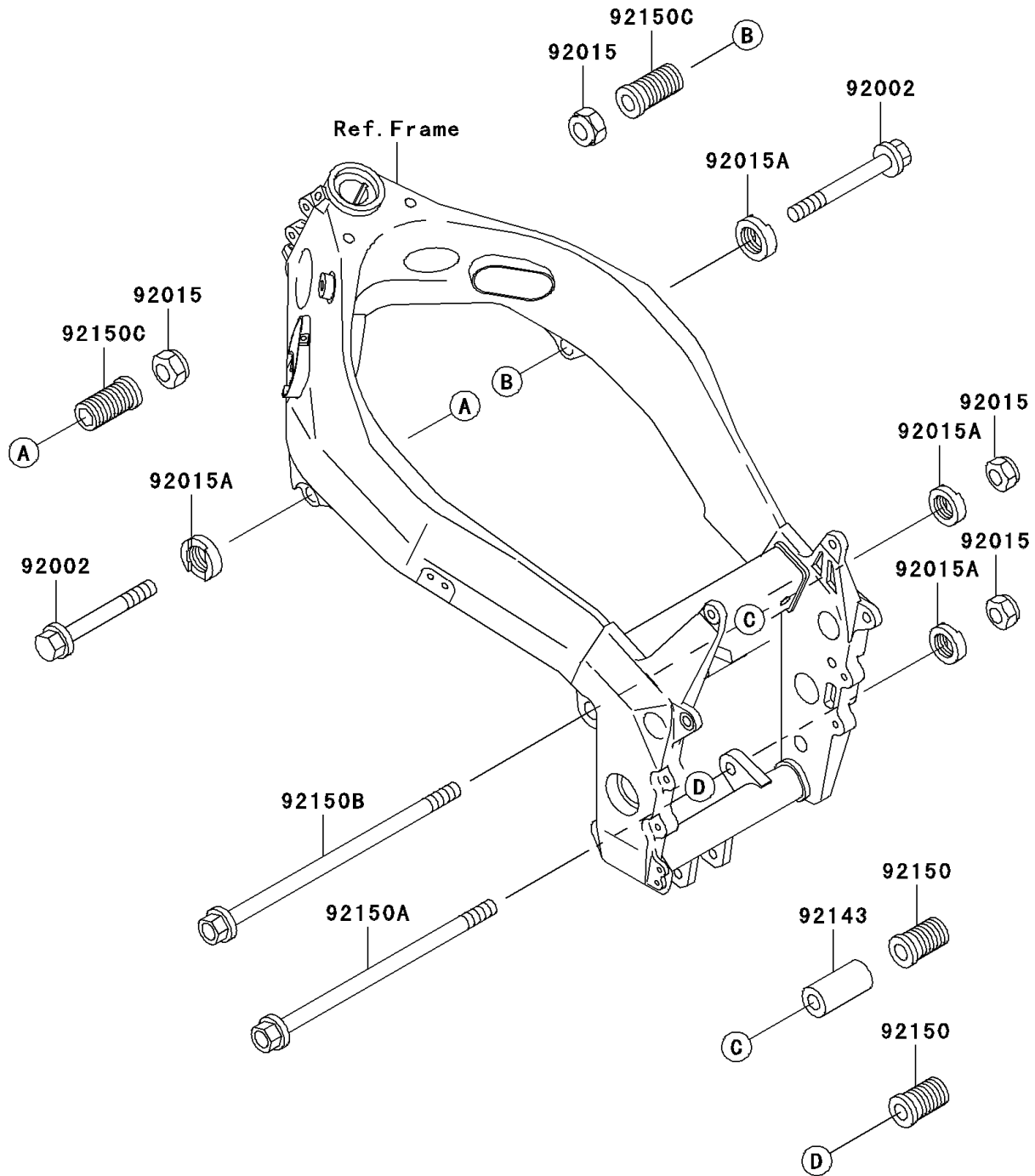


2000 Ninja® ZX™-7R PARTS DIAGRAM

Engine Mount

F2122



2000 Ninja® ZX™-7R PARTS LIST

Engine Mount

ITEM NAME	PART NUMBER	QUANTITY
BOLT,FLANGED,12X100 (Ref # 92002)	92002-1886	2
NUT,LOCK,12MM,BLACK (Ref # 92015)	92015-1190	4
NUT,ENGINE MOUNT,22MM (Ref # 92015A)	92015-1846	4
COLLAR,12.5X26X51 (Ref # 92143)	92143-1482	1
BOLT,ENGINE MOUNT,22X38 (Ref # 92150)	92150-1471	2
BOLT,FLANGED,12X228 (Ref # 92150A)	92150-1952	1
BOLT,FLANGED,12X250 (Ref # 92150B)	92150-1953	1
BOLT,ENGINE MOUNT,22MM (Ref # 92150C)	92150-1954	2