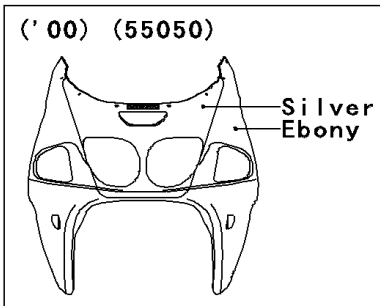
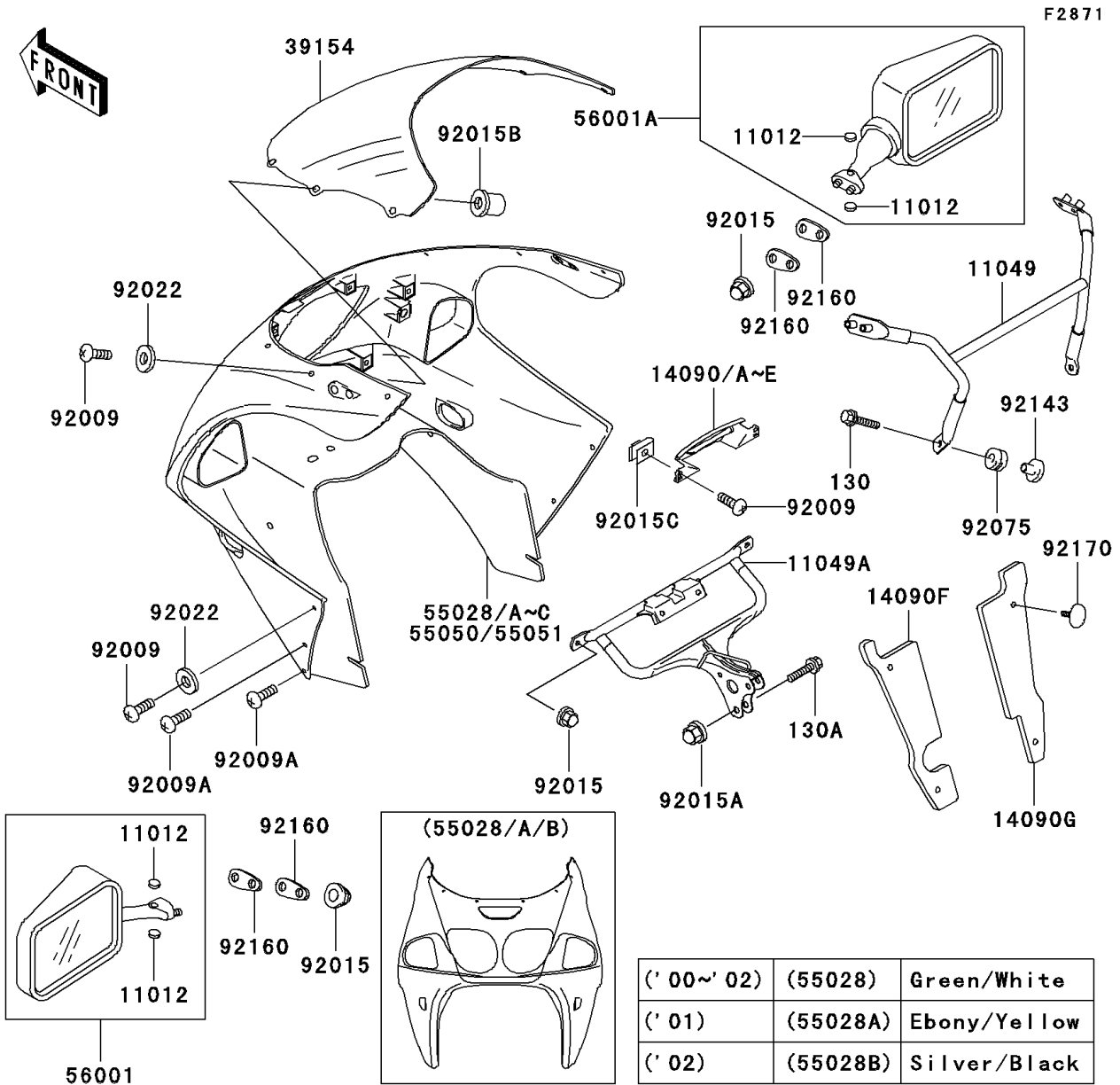
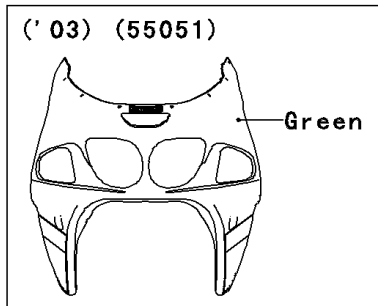


# 2000 Ninja® ZX™-7R PARTS DIAGRAM

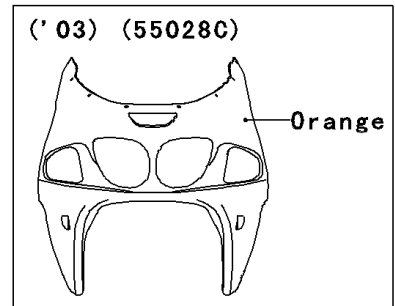
Cowling



WD



WD



WOD

## 2000 Ninja® ZX™-7R PARTS LIST

### Cowling

ITEM NAME	PART NUMBER	QUANTITY
BOLT-FLANGED,6X25 (Ref # 130)	130J0625	2
BOLT-FLANGED,8X30 (Ref # 130A)	130J0830	2
CAP,MIRROR (Ref # 11012)	11012-1818	4
BRACKET,MIRROR (Ref # 11049)	11049-1327	1
BRACKET,UPP COWLING (Ref # 11049A)	11049-1328	1
COVER,POSITION LAMP,G.SILVER (Ref # 14090A)	14090-1404-F2	1
COVER,POSITION LAMP,WHITE (Ref # 14090C)	14090-1404-R1	1
COVER,HEAT GUARD,LH (Ref # 14090F)	14090-1649	1
COVER,HEAT GUARD,RH (Ref # 14090G)	14090-1650	1
WINDSHIELD (Ref # 39154)	39154-1132	1
COWLING,UPP,GREEN/WHITE (Ref # 55028)	55028-1343-CK	1
COWLING-ASSY.,UPP,EBONY/SILVER (Ref # 55050)	55050-5321-5F	1
MIRROR-ASSY,LH,EBONY (Ref # 56001)	56001-1376-6C	1
MIRROR-ASSY,RH,EBONY (Ref # 56001A)	56001-1377-6C	1
SCREW,5X16,BLACK (Ref # 92009)	92009-1654	12
SCREW,5X20,BLACK (Ref # 92009A)	92009-1656	4
NUT,CAP,6MM,BLACK (Ref # 92015)	92015-1170	6
NUT,CAP,8MM,BLACK (Ref # 92015A)	92015-1174	2
NUT,WELL,5MM (Ref # 92015B)	92015-1757	8
NUT,5MM (Ref # 92015C)	92015-1798	2
WASHER,NYLON,5.3X11.5X1.5 (Ref # 92022)	92022-1521	10
DAMPER,RUBBER (Ref # 92075)	92075-1123	2
COLLAR (Ref # 92143)	92143-1353	2
DAMPER,MIRROR (Ref # 92160)	92160-1089	4
CLAMP (Ref # 92170)	92170-1442	4