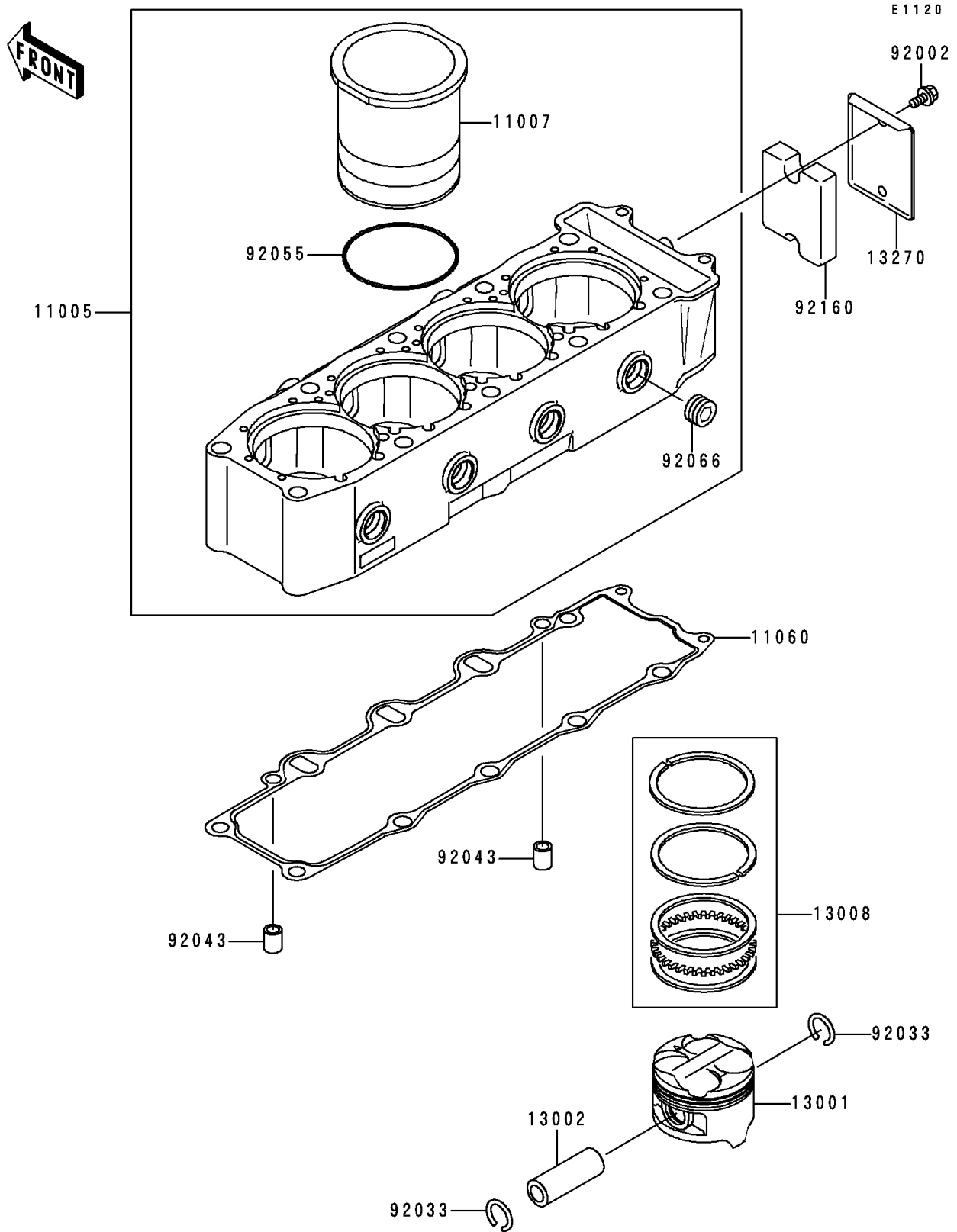


# 1996 Ninja® ZX™-9R PARTS DIAGRAM

Cylinder/Piston(s)



## 1996 Ninja® ZX™-9R PARTS LIST

Cylinder/Piston(s)

ITEM NAME	PART NUMBER	QUANTITY
CYLINDER-ENGINE (Ref # 11005)	11005-1778	1
LINER-CYLINDER (Ref # 11007)	11007-1136	4
GASKET,CYLINDER BASE (Ref # 11060)	11060-1093	1
PISTON-ENGINE,STD (Ref # 13001)	13001-1437	4
PIN-PISTON (Ref # 13002)	13002-1086	4
RING-SET-PISTON,STD (Ref # 13008)	13008-1158	4
PLATE (Ref # 13270)	13270-1157	1
BOLT,6X8 (Ref # 92002)	92002-1604	2
RING-SNAP,20.5X1.2 (Ref # 92033)	92033-1099	8
PIN,DOWEL,10X14 (Ref # 92043)	92043-1037	2
RING-O,78.9X2.0 (Ref # 92055)	92055-1526	4
PLUG (Ref # 92066)	92066-1253	6
DAMPER (Ref # 92160)	92160-1488	1