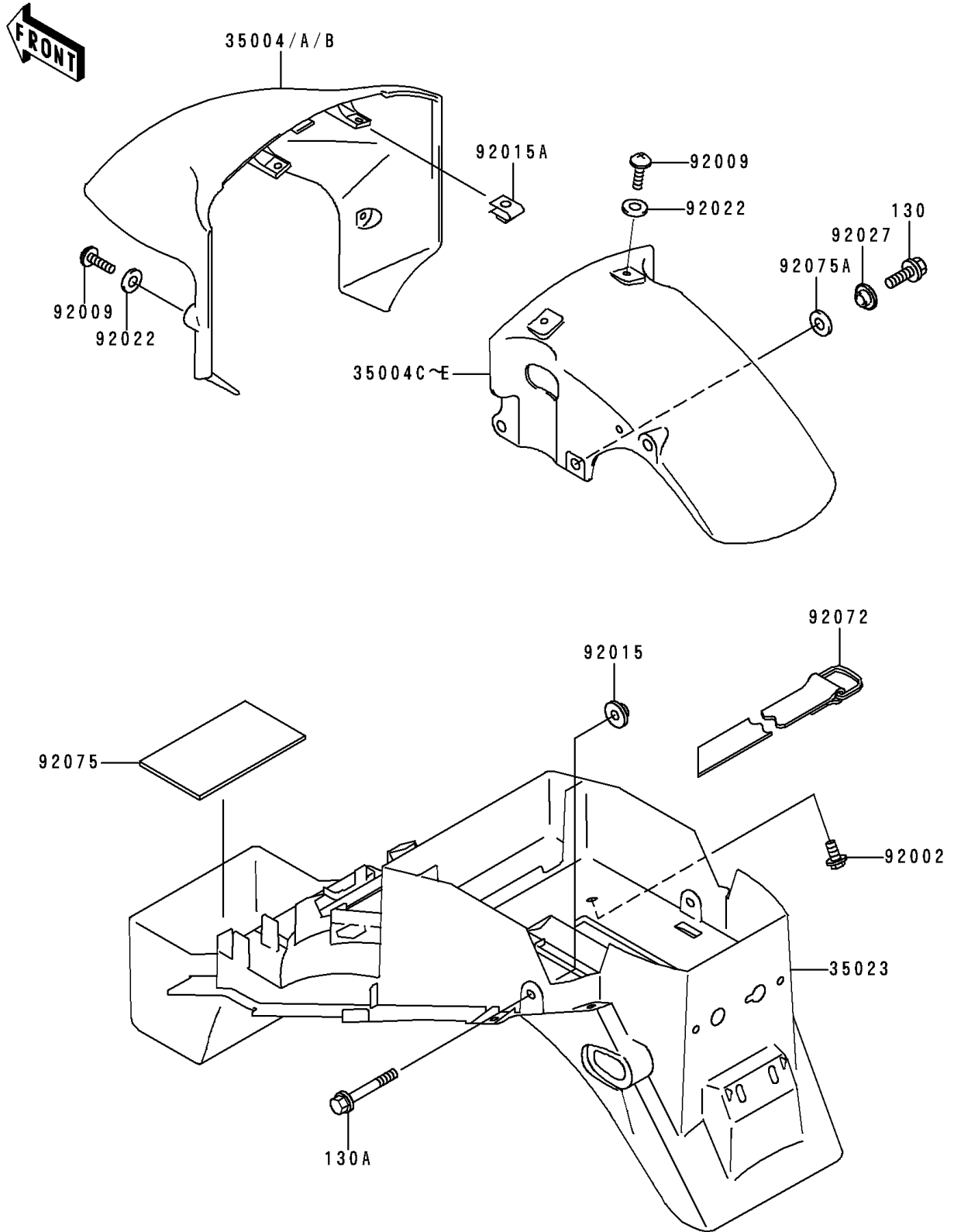


# 1994 Ninja® ZX™ -9R PARTS DIAGRAM

Fenders

F2170



# 1994 Ninja® ZX™-9R PARTS LIST

## Fenders

ITEM NAME	PART NUMBER	QUANTITY
BOLT-FLANGED,6X16 (Ref # 130)	130H0616	4
BOLT-FLANGED,6X40,BLACK (Ref # 130A)	130J0640	2
FENDER-FRONT,FR,C.W.RED (Ref # 35004)	35004-1320-H3	1
FENDER-FRONT,FR,L.GREEN (Ref # 35004B)	35004-1320-7F	1
FENDER-FRONT,RR,C.W.RED (Ref # 35004C)	35004-1321-H3	1
FENDER-FRONT,RR,L.GREEN (Ref # 35004E)	35004-1321-7F	1
FENDER-REAR (Ref # 35023)	35023-1365	1
BOLT,6X12 (Ref # 92002)	92002-1884	1
SCREW,5X16 (Ref # 92009)	92009-1654	4
NUT,6MM (Ref # 92015)	92015-1321	2
NUT,5MM (Ref # 92015A)	92015-1573	2
WASHER,NYLON,5.3X11.5X1.5 (Ref # 92022)	92022-1521	4
COLLAR,COWLING STAY (Ref # 92027)	92027-1667	4
BAND,L=460 (Ref # 92072)	92072-1314	1
DAMPER (Ref # 92075)	92075-1076	1
DAMPER (Ref # 92075A)	92075-1564	4