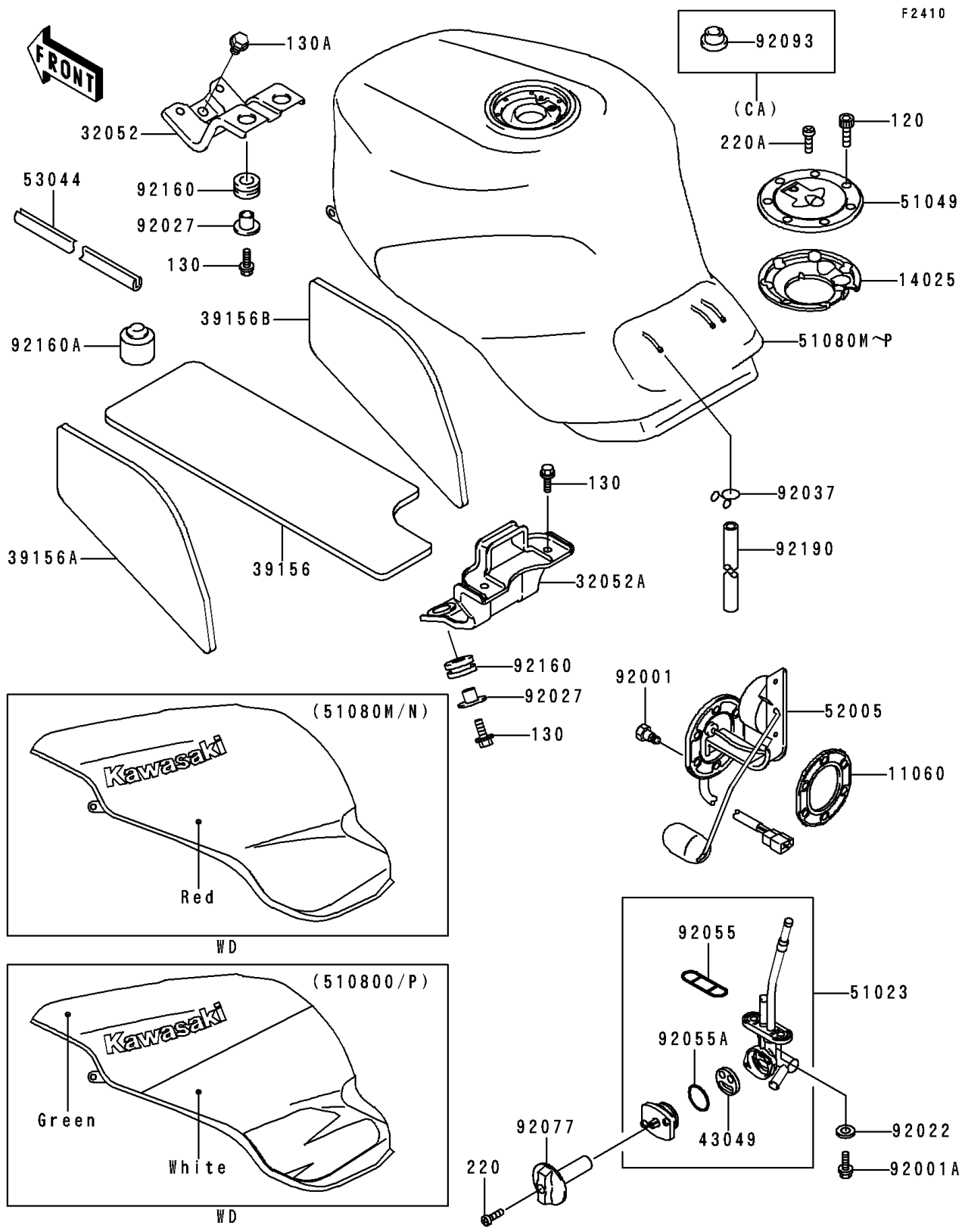


1997 Ninja® ZX™-9R PARTS DIAGRAM

Fuel Tank



F2410

92093

FRONT

130A
32052
53044
92160
92027
130

(CA)
220A
120
51049
14025
51080M~P

92160A
39156B
39156A
39156

130
32052A

92037
92190

(51080M/N)
Kawasaki
Red
WD

92160
92027
130
92001
52005
11060

(51080/P)
Kawasaki
Green
White
WD

92055
92055A
51023
43049
92022
92001A
92077
220

1997 Ninja® ZX™-9R PARTS LIST

Fuel Tank

ITEM NAME	PART NUMBER	QUANTITY
GASKET,FUEL GAUGE (Ref # 11060)	11060-1337	1
COVER,TANK CAP (Ref # 14025)	14025-1913	1
BRACKET-TANK,FR (Ref # 32052)	32052-1386	1
BRACKET-TANK,RR (Ref # 32052A)	32052-1387	1
PAD,FUEL TANK,FR (Ref # 39156)	39156-1392	1
PAD,FUEL TANK,LH (Ref # 39156A)	39156-1394	1
PAD,FUEL TANK,RH (Ref # 39156B)	39156-1395	1
PACKING,TAP VALVE (Ref # 43049)	43049-1066	1
TAP-ASSY,FUEL (Ref # 51023)	51023-1213	1
CAP-TANK,FUEL (Ref # 51049)	51049-1091	1
TANK-COMP-FUEL,F.RED (Ref # 51080M)	51080-5339-B1	1
TANK-COMP-FUEL,F.RED (Ref # 51080N)	51080-5340-B1	1
TANK-COMP-FUEL,GREEN/WHITE (Ref # 51080O)	51080-5341-CK	1
BOLT-SOCKET (Ref # 120)	120S0512	7
BOLT-FLANGED (Ref # 130)	130J0620	6
BOLT-FLANGED (Ref # 130A)	130J0812	1
SCREW-PAN-CROS,4X25,BLACK (Ref # 220)	220C0425	1
SCREW-PAN-CROS (Ref # 220A)	220C0508	1
TANK-COMP-FUEL,GREEN/WHITE (Ref # 51080P)	51080-5342-CK	1
GAUGE,FUEL (Ref # 52005)	52005-1108	1
TRIM,WINDSHIELD (Ref # 53044)	53044-1120	2
BOLT,FUEL GAUGE (Ref # 92001)	92001-1069	6
BOLT,6X20 (Ref # 92001A)	92001-1091	2
WASHER,6.2X11X1.5 (Ref # 92022)	92022-183	2
COLLAR,L=14.1 (Ref # 92027)	92027-1920	4
CLAMP,TUBE (Ref # 92037)	92037-147	1
RING-O,FUEL TAP PACKING (Ref # 92055)	92055-1112	1
RING-O,TAP LEVER (Ref # 92055A)	92055-1419	1
KNOB,FUEL TAP (Ref # 92077)	92077-1115	1

1997 Ninja® ZX™ -9R PARTS LIST

Fuel Tank

ITEM NAME	PART NUMBER	QUANTITY
SEAL,FUEL TANK CAP (Ref # 92093)	92093-1030	1
DAMPER (Ref # 92160)	92160-1162	4
DAMPER (Ref # 92160A)	92160-1513	2
TUBE,5X10X720 (Ref # 92190)	92190-1552	1