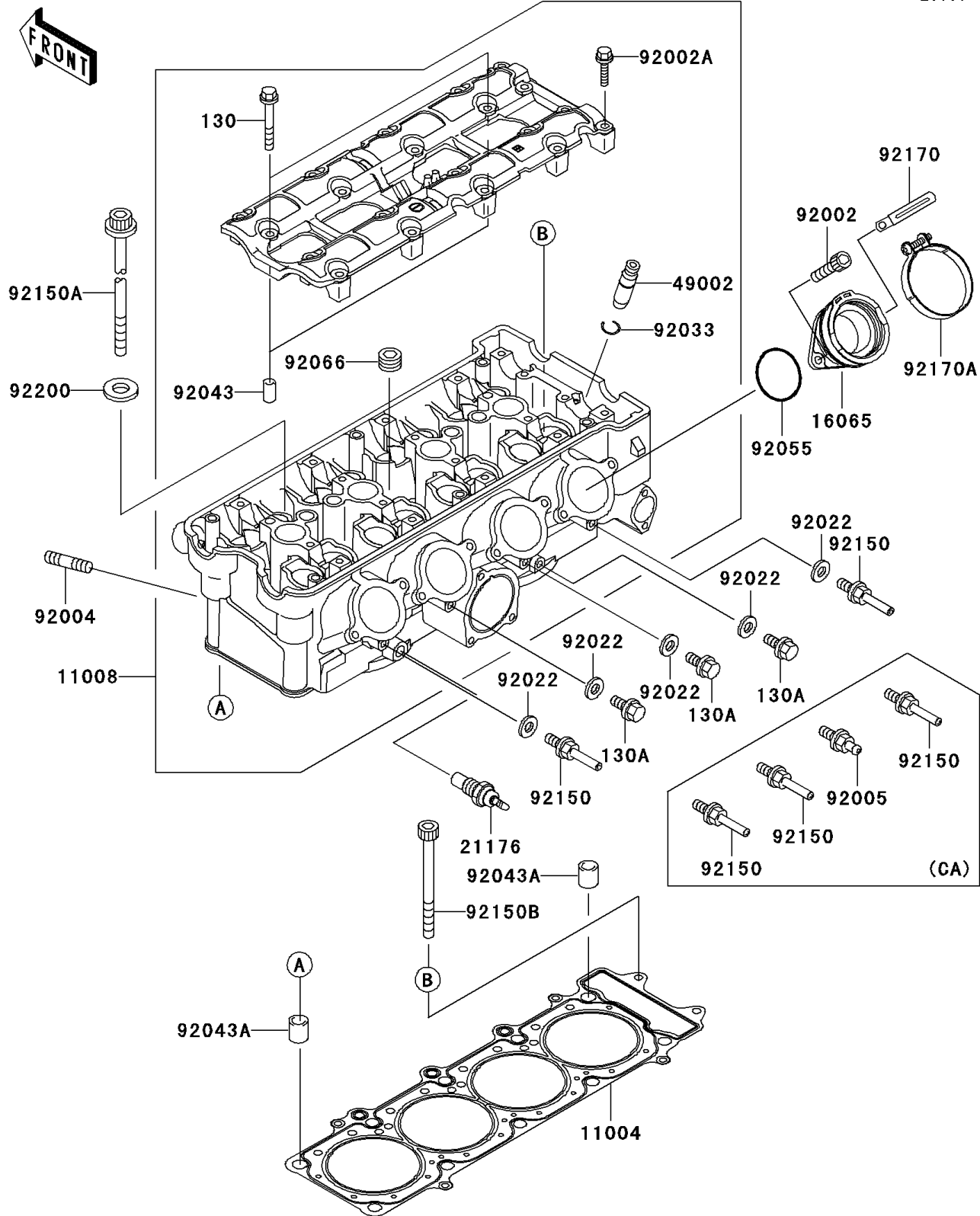


1998 Ninja® ZX™ -9R PARTS DIAGRAM

Cylinder Head

E1111



1998 Ninja® ZX™-9R PARTS LIST

Cylinder Head

ITEM NAME	PART NUMBER	QUANTITY
BOLT-FLANGED (Ref # 130)	130P0645	2
GASKET-HEAD (Ref # 11004)	11004-1327	1
HEAD-COMP-CYLINDER (Ref # 11008)	11008-1336	1
HOLDER-CARBURETOR (Ref # 16065)	16065-1352	4
SENSOR (Ref # 21176)	21176-1075	1
GUIDE-VALVE (Ref # 49002)	49002-1116	AR
BOLT,6X16 (Ref # 92002)	92002-1143	8
BOLT,6X40 (Ref # 92002A)	92002-1756	18
STUD,8X22 (Ref # 92004)	92004-1249	8
WASHER,6.2X11X1 (Ref # 92022)	92022-304	5
RING-SNAP (Ref # 92033)	92033-1247	16
PIN,6.2X8X14 (Ref # 92043)	92043-1263	2
PIN,10.1X12X14 (Ref # 92043A)	92043-4009	2
RING-O,43.7X1.9 (Ref # 92055)	92055-1401	4
PLUG (Ref # 92066)	92066-1253	5
BOLT,10X165 (Ref # 92150A)	92150-1368	10
BOLT,SOCKET,6X110 (Ref # 92150B)	92150-1755	2
CLAMP (Ref # 92170)	92170-1514	1
CLAMP (Ref # 92170A)	92170-1882	4
WASHER,10.5X19X2.3 (Ref # 92200)	92200-1042	10
BOLT-FLANGED (Ref # 130A)	130Y0610	1
BOLT-FLANGED (Ref # 130A)	130Y0610	3
FITTING (Ref # 92005)	92005-1221	1
BOLT (Ref # 92150)	92150-1161	2
BOLT (Ref # 92150)	92150-1161	3